












**Spis treści**

Table of contents

**SPIS TREŚCI**  
Table of contents

3.7	<b>Rdzeń formujący</b> <i>Core pin</i>		CPM
3.10	<b>Wypychacz hartowany</b> <i>Ejector pin hardened</i>		WH
3.12	<b>Wypychacz azotowany</b> <i>Ejector pin nitrided</i>		EM
3.14	<b>Wypychacz tulejowy hartowany</b> <i>Ejector sleeve hardened</i>		WHT
3.16	<b>Wypychacz tulejowy azotowany</b> <i>Ejector sleeve nitrided</i>		EMT
3.18	<b>Wypychacz odsadzany azotowany</b> <i>Step pin nitrided</i>		ESM
3.20	<b>Wypychacz odsadzany hartowany</b> <i>Step pin hardened</i>		OH
3.20	<b>Wypychacz płaski hartowany</b> <i>Flat ejector pin hardened</i>		OHP
3.21	<b>Wypychacz płaski azotowany</b> <i>Flat ejector pin nitrided</i>		ESP
3.22	<b>Śłup prowadzący</b> <i>Leader pin</i>		SLE
3.30	<b>Śłup prowadzący</b> <i>Leader pin</i>		SXE

## Spis treści

Table of contents

3.39	<b>Tuleja prowadząca</b> <i>Leader pin bushing</i>		TPE
3.41	<b>Tuleja prowadząca</b> <i>Leader pin bushing</i>		TXE
3.43	<b>Tuleja prowadząca samosmarująca</b> <i>Self-lubricating guide bushing</i>		TPG
3.45	<b>Tuleja prowadząca samosmarująca</b> <i>Self-lubricating guide bushing</i>		TXG
3.47	<b>Tuleja ustalająca</b> <i>Locating sleeve</i>		TUE
3.49	<b>Nóżka</b> <i>Support bolt</i>		NF
3.50	<b>Słup skośny</b> <i>Angle pin</i>		SS
3.52	<b>Słup skośny z łbem stożkowym</b> <i>Angle pin with tapered head</i>		SSK
3.54	<b>Prowadzenie płyty wypychaczy</b> <i>Ejection system</i>		
3.54	<b>Słup prowadzący płyty wypychaczy</b> <i>Ejector plate leader pin</i>		SPW
3.55	<b>Słup prowadzący płyty wypychaczy</b> <i>Ejector plate leader pin</i>		KPE

## Spis treści

Table of contents

3.55	<b>Tuleja prowadząca płyty wypychaczy</b> <i>Ejector plate guide bushing</i>		TBW
3.56	<b>Tuleja prowadząca płyty wypychaczy – samosmarująca</b> <i>Self-lubricating ejector plate guide bushing</i>		TGW
3.56	<b>Koszyk kulkowy</b> <i>Ball bearing cage</i>		KKW
3.57	<b>Tuleja płyty wypychaczy – do prowadzenia kulkowego</b> <i>Ejector plate guide bushing – for ball bearing</i>		TKW
3.58	<b>Tuleja z rotacyjnym systemem kulkowym</b> <i>Recirculating ball bushing</i>		DKA
3.59	<b>Płytki samosmarujące</b> <i>Wear plate self-lubricating</i>		PFA, PFB
3.60	<b>Podkładka oporowa</b> <i>Support washer</i>		PO
3.60	<b>Podkładka oporowa</b> <i>Support washer</i>		POA
3.61	<b>Sworzeń płyty wypychaczy</b> <i>Ejector rod</i>		KWH
3.63	<b>Sworzeń płyty wypychaczy</b> <i>Threaded insert for ejector plate</i>		SGW
3.64	<b>Tuleja prowadząca</b> <i>Tube dowel</i>		TPZ

## Spis treści

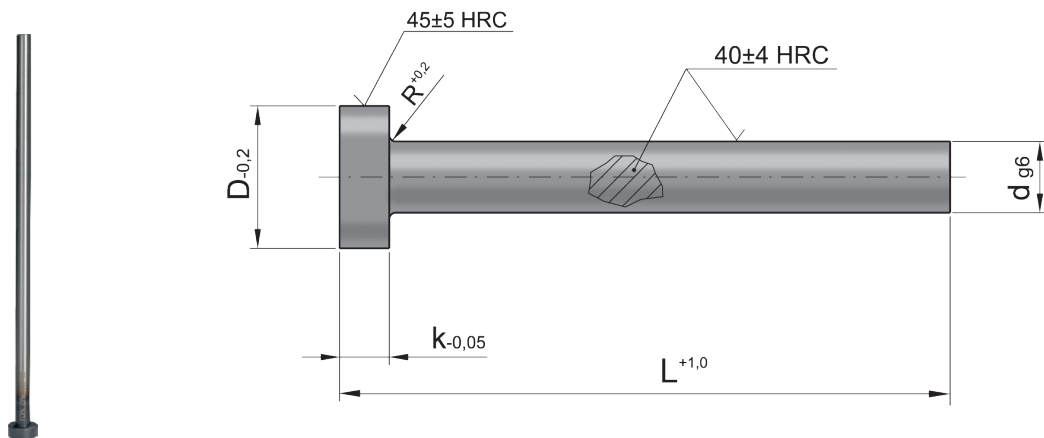
Table of contents

3.66	<b>Tulejowy zabierak wlewka</b> <i>Sprue pullers bushing</i>		TZW
3.67	<b>Tuleja wtryskowa</b> <i>Sprue bushing</i>		TWA
3.68	<b>Tuleja wtryskowa</b> <i>Sprue bushing</i>		TWB
3.69	<b>Tuleja wtryskowa</b> <i>Sprue bushing</i>		TWC
3.70	<b>Tuleja wtryskowa</b> <i>Sprue bushing</i>		TWD
3.72	<b>Pierścień centrujący</b> <i>Locating ring</i>		PCA
3.75	<b>Pierścień centrujący</b> <i>Locating ring</i>		PCB
3.78	<b>Pierścień centrujący</b> <i>Locating ring</i>		PCC
3.79	<b>Trzpień podporowy</b> <i>Support pillar</i>		TPOD

**Rdzeń formujący**

Core pin

**CPM**



**Mat:**  
Stal narzędziowa do pracy na gorąco  
Hot working tool steel  
500-550°C

d	D	k	R	NR KAT.				
				L				
				100	125	160	200	250
1	2,5	1,2	0,2	CPM-010100		CPM-010160		
1,5	3	1,5		CPM-015100	CPM-015125	CPM-015160	CPM-015200	
2	4	2		CPM-020100	CPM-020125	CPM-020160	CPM-020200	CPM-020250
2,2				CPM-022100	CPM-022125	CPM-022160	CPM-022200	CPM-022250
2,5	5			CPM-025100	CPM-025125	CPM-025160	CPM-025200	CPM-025250
2,7				CPM-027100	CPM-027125	CPM-027160	CPM-027200	CPM-027250
3	6		0,3	CPM-030100	CPM-030125	CPM-030160	CPM-030200	CPM-030250
3,2				CPM-032100	CPM-032125	CPM-032160	CPM-032200	CPM-032250
3,5	7	CPM-035100		CPM-035125	CPM-035160	CPM-035200	CPM-035250	
3,7		CPM-037100		CPM-037125	CPM-037160	CPM-037200	CPM-037250	
4	8	CPM-040100		CPM-040125	CPM-040160	CPM-040200	CPM-040250	
4,2		CPM-042100		CPM-042125	CPM-042160	CPM-042200	CPM-042250	
4,5	10	CPM-045100	CPM-045125	CPM-045160	CPM-045200	CPM-045250		
5		CPM-050100	CPM-050125	CPM-050160	CPM-050200	CPM-050250		
5,2		CPM-052100	CPM-052125	CPM-052160	CPM-052200	CPM-052250		
5,5	12	CPM-055100	CPM-055125	CPM-055160	CPM-055200	CPM-055250		
6		0,5	CPM-060100	CPM-060125	CPM-060160	CPM-060200	CPM-060250	
6,2			CPM-062100	CPM-062125	CPM-062160	CPM-062200	CPM-062250	
6,5			CPM-065100	CPM-065125	CPM-065160	CPM-065200	CPM-065250	
7			CPM-070100	CPM-070125	CPM-070160	CPM-070200	CPM-070250	
7,5	CPM-075100		CPM-075125	CPM-075160	CPM-075200	CPM-075250		

## Rdzeń formujący

Core pin

# CPM

d	D	k	R	NR KAT.				
				L				
				100	125	160	200	250
8	14	5	0,5	CPM-080100	CPM-080125	CPM-080160	CPM-080200	CPM-080250
8,2				CPM-082100	CPM-082125	CPM-082160	CPM-082200	CPM-082250
8,5				CPM-085100	CPM-085125	CPM-085160	CPM-085200	CPM-085250
9				CPM-090100	CPM-090125	CPM-090160	CPM-090200	CPM-090250
9,5				CPM-095100	CPM-095125	CPM-095160	CPM-095200	CPM-095250
10	16	5	0,5	CPM-100100	CPM-100125	CPM-100160	CPM-100200	CPM-100250
10,2				CPM-102100	CPM-102125	CPM-102160	CPM-102200	CPM-102250
10,5				CPM-105100	CPM-105125	CPM-105160	CPM-105200	CPM-105250
11				CPM-110100	CPM-110125	CPM-110160	CPM-110200	CPM-110250
12	18	7	0,8	CPM-120100	CPM-120125	CPM-120160	CPM-120200	CPM-120250
12,2				CPM-122100	CPM-122125	CPM-122160	CPM-122200	CPM-122250
12,5				CPM-125100	CPM-125125	CPM-125160	CPM-125200	CPM-125250
14	22	7	0,8	CPM-140100	CPM-140125	CPM-140160	CPM-140200	CPM-140250
16				CPM-160100	CPM-160125	CPM-160160	CPM-160200	CPM-160250
18				CPM-180100	CPM-180125	CPM-180160	CPM-180200	CPM-180250
20	26	8	1	CPM-200100	CPM-200125	CPM-200160	CPM-200200	CPM-200250
25	32	10				CPM-250160	CPM-250200	CPM-250250
32	40					CPM-320160	CPM-320200	CPM-320250

**Rdzeń formujący**
*Core pin*
**CPM**

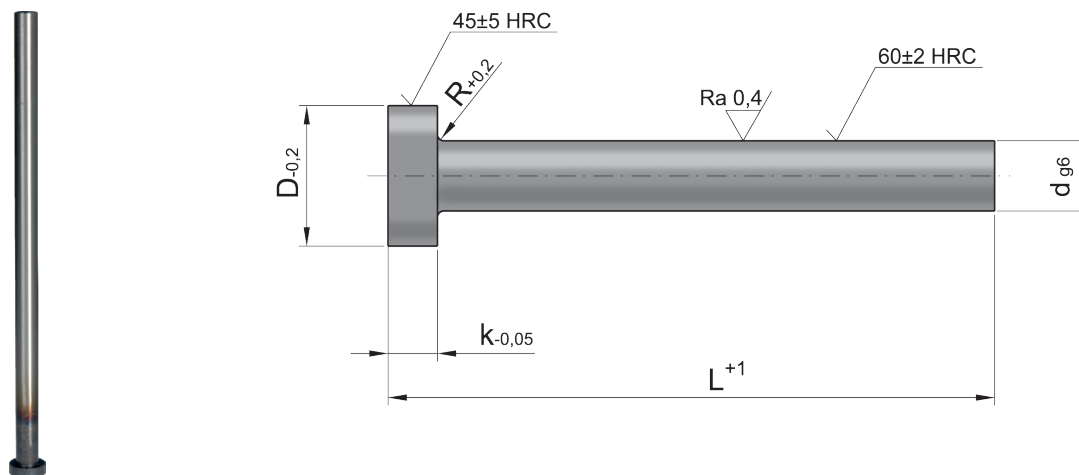
d	D	k	R	NR KAT.						
				L						
				315	400	500	630	800	1000	
1	2,5	1,2	0,2							
1,5	3	1,5								
2	4	2								
2,2										
2,5										
2,7	5									
3	6		3	0,3	CPM-030315	CPM-030400	CPM-030500			
3,2						CPM-032315	CPM-032400			
3,5		7			CPM-035315	CPM-035400				
3,7	CPM-037315				CPM-037400					
4	8				CPM-040315	CPM-040400	CPM-040500			
4,2		CPM-042315			CPM-042400	CPM-042500	CPM-042630			
4,5		CPM-045315		CPM-045400						
5	10	5		0,5	CPM-050315	CPM-050400	CPM-050500	CPM-050630	CPM-050800	
5,2					CPM-052315	CPM-052400	CPM-052500	CPM-052630		
5,5					CPM-055315	CPM-055400	CPM-055500	CPM-055630		
6	12				CPM-060315	CPM-060400	CPM-060500	CPM-060630	CPM-060800	CPM-0601000
6,2					CPM-062315	CPM-062400	CPM-062500	CPM-062630		
6,5			CPM-065315		CPM-065400	CPM-065500				
7			CPM-070315	CPM-070400	CPM-070500	CPM-070630				
7,5			CPM-075315	CPM-075400	CPM-075500					
8	14		CPM-080315	CPM-080400	CPM-080500	CPM-080630	CPM-080800	CPM-0801000		
8,2			CPM-082315	CPM-082400	CPM-082500	CPM-082630	CPM-082800			
8,5			CPM-085315	CPM-085400	CPM-085500	CPM-085630				
9			CPM-090315	CPM-090400	CPM-090500	CPM-090630				
9,5		CPM-095315	CPM-095400	CPM-095500						
10	16	7	0,8	CPM-100315	CPM-100400	CPM-100500	CPM-100630	CPM-100800	CPM-1001000	
10,2				CPM-102315	CPM-102400	CPM-102500	CPM-102630	CPM-102800		
10,5				CPM-105315	CPM-105400	CPM-105500	CPM-105630			
11				CPM-110315	CPM-110400	CPM-110500	CPM-110630			
12	18			CPM-120315	CPM-120400	CPM-120500	CPM-120630	CPM-120800	CPM-1201000	
12,2				CPM-122315	CPM-122400	CPM-122500	CPM-122630	CPM-122800		
12,5			CPM-125315	CPM-125400	CPM-125500	CPM-125630	CPM-125800			
14	22		CPM-140315	CPM-140400	CPM-140500	CPM-140630	CPM-140800	CPM-1401000		
16			CPM-160315	CPM-160400	CPM-160500	CPM-160630	CPM-160800	CPM-1601000		
18			CPM-180315	CPM-180400	CPM-180500	CPM-180630	CPM-180800	CPM-1801000		
20	24		8	1	CPM-200315	CPM-200400	CPM-200500	CPM-200630	CPM-200800	CPM-2001000
25	32				CPM-250315	CPM-250400	CPM-250500	CPM-250630	CPM-250800	CPM-2501000
32		CPM-320315			CPM-320400	CPM-320500	CPM-320630	CPM-320800	CPM-3201000	
		40								

**Wypychacz hartowany**

Ejector pin hardened

**WH**

DIN 1530 / ISO 6751



**Uwaga: Dostępne także z powłoką DLC**  
**W celu zamówienia skontaktuj się z nami.**  
 Note: DLC coating available. Contact FCPK for details.

**Mat.: Stal narzędziowa Tool steel 250°C**

d	D	k	R	NR KAT.								
				L								
				80	100	125	160	200	250	315	400	
1,5	3	1,5	0,2	WH-015080	WH-015100	WH-015125	WH-015160	WH-015200				
1,6				WH-016080	WH-016100	WH-016125	WH-016160	WH-016200				
1,7					WH-017100	WH-017125	WH-017160	WH-017200				
1,8					WH-018100	WH-018125	WH-018160	WH-018200				
2	4	2		WH-020080	WH-020100	WH-020125	WH-020160	WH-020200	WH-020250			
2,1						WH-021160						
2,2				WH-022080	WH-022100	WH-022125	WH-022160	WH-022200	WH-022250			
2,5	5			WH-025080	WH-025100	WH-025125	WH-025160	WH-025200	WH-025250			
2,7			WH-027080	WH-027100	WH-027125	WH-027160	WH-027200	WH-027250				
3	6		WH-030080	WH-030100	WH-030125	WH-030160	WH-030200	WH-030250	WH-030315			
3,1					WH-031160							
3,2			WH-032080	WH-032100	WH-032125	WH-032160	WH-032200	WH-032250	WH-032315			
3,5	7		WH-035080	WH-035100	WH-035125	WH-035160	WH-035200	WH-035250	WH-035315			
3,7			WH-037080	WH-037100	WH-037125	WH-037160	WH-037200	WH-037250	WH-037315			
4	8		WH-040080	WH-040100	WH-040125	WH-040160	WH-040200	WH-040250	WH-040315	WH-040400		
4,1					WH-041160							
4,2			WH-042080	WH-042100	WH-042125	WH-042160	WH-042200	WH-042250	WH-042315	WH-042400		
4,5			WH-045080	WH-045100	WH-045125	WH-045160	WH-045200	WH-045250	WH-045315	WH-045400		
4,7	10		WH-047080	WH-047100	WH-047125	WH-047160	WH-047200	WH-047250	WH-047315	WH-047400		
5			WH-050080	WH-050100	WH-050125	WH-050160	WH-050200	WH-050250	WH-050315	WH-050400		
5,1						WH-051200						
5,2			WH-052080	WH-052100	WH-052125	WH-052160	WH-052200	WH-052250	WH-052315	WH-052400		
5,5				WH-055100	WH-055125	WH-055160	WH-055200	WH-055250	WH-055315	WH-055400		



## Wypychacz hartowany

Ejector pin hardened

# WH

d	D	k	R	NR KAT.								
				L								
				80	100	125	160	200	250	315	400	500
6	12			WH-060080	WH-060100	WH-060125	WH-060160	WH-060200	WH-060250	WH-060315	WH-060400	
6,1							WH-061200					
6,2				WH-062080	WH-062100	WH-062125	WH-062160	WH-062200	WH-062250	WH-062315	WH-062400	
6,5					WH-065100	WH-065125	WH-065160	WH-065200	WH-065250	WH-065315	WH-065400	
7					WH-070100	WH-070125	WH-070160	WH-070200	WH-070250	WH-070315	WH-070400	
8	14	5	0,5	WH-080080	WH-080100	WH-080125	WH-080160	WH-080200	WH-080250	WH-080315	WH-080400	
8,1							WH-081200					
8,2				WH-082080	WH-082100	WH-082125	WH-082160	WH-082200	WH-082250	WH-082315	WH-082400	
8,5					WH-085100	WH-085125	WH-085160	WH-085200	WH-085250	WH-085315	WH-085400	
9					WH-090100	WH-090125	WH-090160	WH-090200	WH-090250	WH-090315	WH-090400	
10	16			WH-100080	WH-100100	WH-100125	WH-100160	WH-100200	WH-100250	WH-100315	WH-100400	
10,1							WH-101200					
10,2				WH-102080	WH-102100	WH-102125	WH-102160	WH-102200	WH-102250	WH-102315	WH-102400	
10,5					WH-105100	WH-105125	WH-105160	WH-105200	WH-105250	WH-105315	WH-105400	
11					WH-110100	WH-110125	WH-110160	WH-110200	WH-110250	WH-110315	WH-110400	
12	18	7	0,8	WH-120080	WH-120100	WH-120125	WH-120160	WH-120200	WH-120250	WH-120315	WH-120400	WH-120500
12,1							WH-121200					
12,2					WH-122100	WH-122125	WH-122160	WH-122200	WH-122250	WH-122315	WH-122400	WH-122500
12,5					WH-125100	WH-125125	WH-125160	WH-125200	WH-125250	WH-125315	WH-125400	WH-125500
14				22	WH-140080	WH-140100	WH-140125	WH-140160	WH-140200	WH-140250	WH-140315	WH-140400
16	WH-160080	WH-160100	WH-160125		WH-160160	WH-160200	WH-160250	WH-160315	WH-160400	WH-160500		
18	WH-180100	WH-180125	WH-180160		WH-180200	WH-180250	WH-180315	WH-180400	WH-180500			
20	26	8	1		WH-200100	WH-200125	WH-200160	WH-200200	WH-200250	WH-200315	WH-200400	WH-200500

**Uwaga. Inne wymiary na zapytanie**

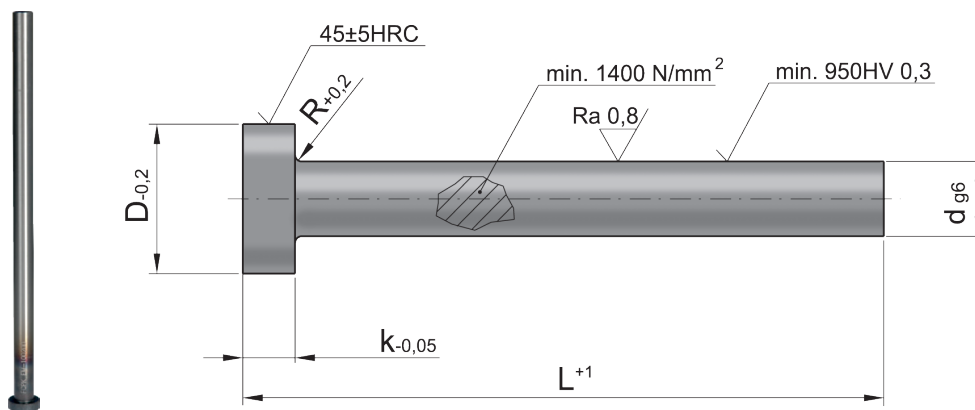
*Note. Other dimensions on request.*

**Wypychacz azotowany**

Ejector pin nitrided

**EM**

DIN 1530 / ISO 6751



d	D	k	R
1	2,5	1,2	0,2
1,2			
1,5			
1,6	3	1,5	
1,7			
2	4	2	
2,2			
2,5	5	3	
2,7			
3	6	3	
3,1			
3,2	7	0,3	
3,5			

d	D	k	R
3,7	7	3	0,3
4			
4,1			
4,2			
4,5			
5			
5,1			
5,2			
5,5			
6			
6,1	12	5	0,5
6,2			
6,5			

d	D	k	R
7	12	5	0,5
7,5			
8			
8,1	14		
8,2			
8,5			
9			
9,5	16		
10			
10,1			
10,2			
10,5			
11			

d	D	k	R		
12	18	7	0,8		
12,2					
12,5					
14	22				
14,2					
16					
16,2					
18	24			10	1
20	26				
25	32				
32	40				

Azotowany / Nitrided

Mat:  
Stal narzędziowa  
do pracy na gorąco  
Hot working tool steel  
500-550°C

d	NR KAT.										
	L										
	100	125	160	200	250	315	400	500	630	800	1000
1	EM-010100		EM-010160								
1,2	EM-012100		EM-012160								
1,5	EM-015100	EM-015125	EM-015160	EM-015200							
1,6			EM-016160								
1,7	EM-017100			EM-017200							
2	EM-020100	EM-020125	EM-020160	EM-020200	EM-020250	EM-020315					
2,2	EM-022100	EM-022125	EM-022160	EM-022200	EM-022250	EM-022315					
2,5	EM-025100	EM-025125	EM-025160	EM-025200	EM-025250	EM-025315					
2,7	EM-027100	EM-027125	EM-027160	EM-027200	EM-027250	EM-027315					
3	EM-030100	EM-030125	EM-030160	EM-030200	EM-030250	EM-030315	EM-030400	EM-030500			
3,1			EM-031160		EM-031250						
3,2	EM-032100	EM-032125	EM-032160	EM-032200	EM-032250	EM-032315	EM-032400				
3,5	EM-035100	EM-035125	EM-035160	EM-035200	EM-035250	EM-035315	EM-035400				
3,7	EM-037100	EM-037125	EM-037160	EM-037200	EM-037250	EM-037315	EM-037400				

## Wypychacz azotowany

Ejector pin nitrided

# EM

d	NR KAT.										
	L										
	100	125	160	200	250	315	400	500	630	800	1000
4	EM-040100	EM-040125	EM-040160	EM-040200	EM-040250	EM-040315	EM-040400	EM-040500			
4,1					EM-041250						
4,2	EM-042100	EM-042125	EM-042160	EM-042200	EM-042250	EM-042315	EM-042400	EM-042500	EM-042630		
4,5	EM-045100	EM-045125	EM-045160	EM-045200	EM-045250	EM-045315	EM-045400				
5	EM-050100	EM-050125	EM-050160	EM-050200	EM-050250	EM-050315	EM-050400	EM-050500	EM-050630	EM-050800	
5,1					EM-051250						
5,2	EM-052100	EM-052125	EM-052160	EM-052200	EM-052250	EM-052315	EM-052400	EM-052500	EM-052630		
5,5	EM-055100	EM-055125	EM-055160	EM-055200	EM-055250	EM-055315	EM-055400	EM-055500	EM-055630		
6	EM-060100	EM-060125	EM-060160	EM-060200	EM-060250	EM-060315	EM-060400	EM-060500	EM-060630	EM-060800	EM-0601000
6,1					EM-061250						
6,2	EM-062100	EM-062125	EM-062160	EM-062200	EM-062250	EM-062315	EM-062400	EM-062500	EM-062630		
6,5	EM-065100	EM-065125	EM-065160	EM-065200	EM-065250	EM-065315	EM-065400	EM-065500			
7	EM-070100	EM-070125	EM-070160	EM-070200	EM-070250	EM-070315	EM-070400	EM-070500	EM-070630		
7,5	EM-075100	EM-075125	EM-075160	EM-075200	EM-075250	EM-075315	EM-075400	EM-075500			
8	EM-080100	EM-080125	EM-080160	EM-080200	EM-080250	EM-080315	EM-080400	EM-080500	EM-080630	EM-080800	EM-0801000
8,1			EM-081160		EM-081250						
8,2	EM-082100	EM-082125	EM-082160	EM-082200	EM-082250	EM-082315	EM-082400	EM-082500	EM-082630	EM-082800	
8,5	EM-085100	EM-085125	EM-085160	EM-085200	EM-085250	EM-085315	EM-085400	EM-085500	EM-085630		
9	EM-090100	EM-090125	EM-090160	EM-090200	EM-090250	EM-090315	EM-090400	EM-090500	EM-090630		
9,5	EM-095100	EM-095125	EM-095160	EM-095200	EM-095250	EM-095315	EM-095400	EM-095500			
10	EM-100100	EM-100125	EM-100160	EM-100200	EM-100250	EM-100315	EM-100400	EM-100500	EM-100630	EM-100800	EM-1001000
10,1					EM-101250						
10,2	EM-102100	EM-102125	EM-102160	EM-102200	EM-102250	EM-102315	EM-102400	EM-102500	EM-102630	EM-102800	
10,5	EM-105100	EM-105125	EM-105160	EM-105200	EM-105250	EM-105315	EM-105400	EM-105500	EM-105630		
11	EM-110100	EM-110125	EM-110160	EM-110200	EM-110250	EM-110315	EM-110400	EM-110500	EM-110630		
12	EM-120100	EM-120125	EM-120160	EM-120200	EM-120250	EM-120315	EM-120400	EM-120500	EM-120630	EM-120800	EM-1201000
12,2	EM-122100	EM-122125	EM-122160	EM-122200	EM-122250	EM-122315	EM-122400	EM-122500	EM-122630	EM-122800	
12,5	EM-125100	EM-125125	EM-125160	EM-125200	EM-125250	EM-125315	EM-125400	EM-125500	EM-125630	EM-125800	
14	EM-140100	EM-140125	EM-140160	EM-140200	EM-140250	EM-140315	EM-140400	EM-140500	EM-140630	EM-140800	EM-1401000
14,2					EM-142250						
16	EM-160100	EM-160125	EM-160160	EM-160200	EM-160250	EM-160315	EM-160400	EM-160500	EM-160630	EM-160800	EM-1601000
16,2					EM-162250						
18	EM-180100	EM-180125	EM-180160	EM-180200	EM-180250	EM-180315	EM-180400	EM-180500	EM-180630	EM-180800	EM-1801000
20	EM-200100	EM-200125	EM-200160	EM-200200	EM-200250	EM-200315	EM-200400	EM-200500	EM-200630	EM-200800	EM-2001000
25			EM-250160	EM-250200	EM-250250	EM-250315	EM-250400	EM-250500	EM-250630	EM-250800	EM-2501000
32			EM-320160	EM-320200	EM-320250	EM-320315	EM-320400	EM-320500	EM-320630	EM-320800	EM-3201000

**Uwaga. Inne wymiary na zapytanie**

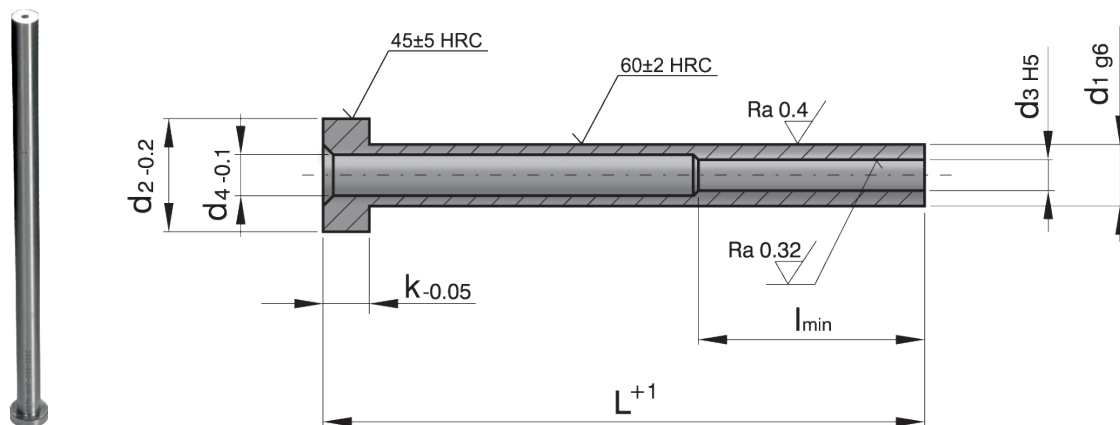
Note. Other dimensions on request.

**Wypychacz tulejowy hartowany**

Ejector sleeve hardened

**WHT**

DIN 16756 / ISO 8405



Mat.: Stal narzędziowa Tool steel 250°C

d3	d1	d2	k	d4	l <sub>min</sub>	L				
						60	75	100	125	150
2,0	4	8	3	2,5	35	WHT-02004060	WHT-02004075	WHT-02004100	WHT-02004125	WHT-02004150
2,2						WHT-02204060	WHT-02204075	WHT-02204100	WHT-02204125	WHT-02204150
2,5								WHT-02504125	WHT-02504150	
2,5	5	10		3,0		WHT-02505060	WHT-02505075	WHT-02505100	WHT-02505125	WHT-02505150
2,7						WHT-02705060	WHT-02705075	WHT-02705100	WHT-02705125	WHT-02705150
3,0				3,5		WHT-03005060	WHT-03005075	WHT-03005100	WHT-03005125	WHT-03005150
3,2			WHT-03205060		WHT-03205075	WHT-03205100	WHT-03205125	WHT-03205150		
3,5					WHT-03505100	WHT-03505125				
3,5	6	12	5	4,0	45	WHT-03506060	WHT-03506075	WHT-03506100	WHT-03506125	WHT-03506150
3,7						WHT-03706060	WHT-03706075	WHT-03706100	WHT-03706125	WHT-03706150
4,0				WHT-04006060		WHT-04006075	WHT-04006100	WHT-04006125	WHT-04006150	
4,0	8	14		4,5			WHT-04008075	WHT-04008100	WHT-04008125	WHT-04008150
4,2						WHT-04208060	WHT-04208075	WHT-04208100	WHT-04208125	WHT-04208150
5,0	10	16		7		5,5	50	WHT-05008060	WHT-05008075	WHT-05008100
5,2			WHT-05208060		WHT-05208075			WHT-05208100	WHT-05208125	WHT-05208150
5,5			WHT-05508060		WHT-05508075	WHT-05508100		WHT-05508125	WHT-05508150	
6,0			6,5		WHT-06010060	WHT-06010075		WHT-06010100	WHT-06010125	WHT-06010150
6,2	WHT-06210060	WHT-06210075			WHT-06210100	WHT-06210125		WHT-06210150		
6,5						WHT-06510075		WHT-06510100	WHT-06510125	WHT-06510150
7,0					WHT-07010075	WHT-07010100	WHT-07010125			
8,0	12	20	8,5	WHT-08012060	WHT-08012075	WHT-08012100	WHT-08012125	WHT-08012150		
8,2				WHT-08212060	WHT-08212075	WHT-08212100	WHT-08212125	WHT-08212150		
8,5						WHT-08512100	WHT-08512125			
10,0	14	22	10,5		WHT-10014075	WHT-10014100	WHT-10014125	WHT-10014150		
10,5					WHT-10514075	WHT-10514100	WHT-10514125	WHT-10514150		
11,0			11,5			WHT-11014100	WHT-11014125	WHT-11014150		
12,0				12,5			WHT-12016075	WHT-12016100	WHT-12016125	WHT-12016150
12,5	16				WHT-12516075	WHT-12516100	WHT-12516125	WHT-12516150		

## Wypychacz tulejowy hartowany

Ejector sleeve hardened

# WHT

d3	d1	d2	k	d4	lmin	L			
						175	200	225	250
2,0	4	8	3	2,5	35	WHT-02004175	WHT-02004200	WHT-02004225	WHT-02004250
2,2						WHT-02204175	WHT-02204200	WHT-02204225	WHT-02204250
2,5	5	10		3,0		WHT-02505175	WHT-02505200	WHT-02505225	WHT-02505250
2,7						WHT-02705175	WHT-02705200	WHT-02705225	WHT-02705250
3,0				3,5		WHT-03005175	WHT-03005200	WHT-03005225	WHT-03005250
3,2						WHT-03205175	WHT-03205200	WHT-03205225	WHT-03205250
3,5	6	12	4,0	WHT-03506175	WHT-03506200	WHT-03506225	WHT-03506250		
3,7				WHT-03706175	WHT-03706200	WHT-03706225			
4,0			4,5	WHT-04006175	WHT-04006200	WHT-04006225	WHT-04006250		
4,0				WHT-04008175	WHT-04008200	WHT-04008225	WHT-04008250		
4,2	8	14	5	5,5	WHT-04208175	WHT-04208200	WHT-04208225	WHT-04208250	
5,0					WHT-05008175	WHT-05008200	WHT-05008225	WHT-05008250	
5,2				5,8	WHT-05208175	WHT-05208200	WHT-05208225	WHT-05208250	
5,5					WHT-05508175	WHT-05508200	WHT-05508225	WHT-05508250	
6,0	10	16		6,5	WHT-06010175	WHT-06010200	WHT-06010225	WHT-06010250	
6,2					WHT-06210175	WHT-06210200	WHT-06210225	WHT-06210250	
6,5			7,0	WHT-06510175	WHT-06510200	WHT-06510225			
7,0					WHT-07010200	WHT-07010225	WHT-07010250		
8,0	12	20	8,5	WHT-08012175	WHT-08012200	WHT-08012225	WHT-08012250		
8,2				WHT-08212175	WHT-08212200	WHT-08212225	WHT-08212250		
8,5				WHT-08512200					
10,0	14	22	7	10,5	50	WHT-10014175	WHT-10014200	WHT-10014225	WHT-10014250
10,5						WHT-10514175	WHT-10514200	WHT-10514225	WHT-10514250
11,0				11,5		WHT-11014175	WHT-11014200	WHT-11014225	
12,0						WHT-12016175	WHT-12016200	WHT-12016225	WHT-12016250
12,5	16			13,0		WHT-12516175	WHT-12516200	WHT-12516225	WHT-12516250

d3	d1	d2	k	d4	lmin	L			
						275	300	325	350
2,5	5	10	3	3,0	35	WHT-02505275			
2,7						WHT-02705275			
3,0				3,5		WHT-03005275	WHT-03005300		
3,2						WHT-03205275	WHT-03205300		
3,5	6	12		4,0		WHT-03506275	WHT-03506300		
4,0						WHT-04006275	WHT-04006300		
4,2			4,5	WHT-04208275					
5,0				8	14	5,5	WHT-05008275	WHT-05008300	WHT-05008325
5,2	WHT-05208275	WHT-05208300	WHT-05208325						
5,5	5,8	WHT-05508275							
6,0		6,5	WHT-06010275			WHT-06010300	WHT-06010325		
6,2	10		16			WHT-06210275			
8,0		12				20	8,5	WHT-08012275	WHT-08012300
8,2	WHT-08212275								
10,0	14	22	7	10,5	50	WHT-10014275	WHT-10014300	WHT-10014325	
12,0	16			12,5		WHT-12016275			

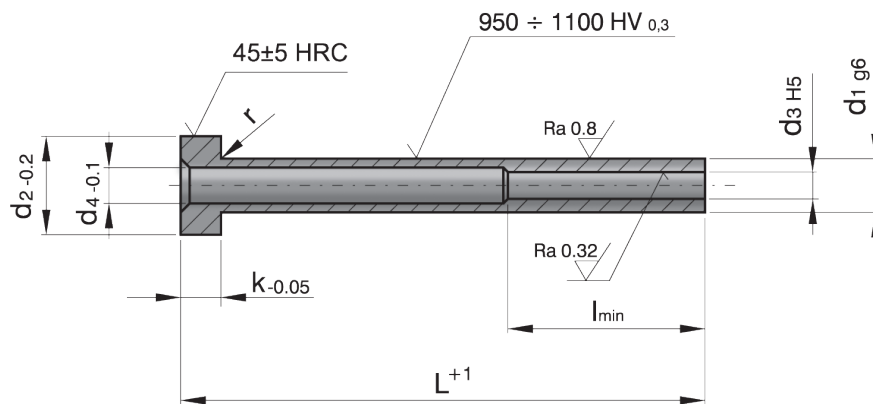
**Uwaga. Inne wymiary na zapytanie**  
*Note. Other dimensions on request.*

**Wypychacz tulejowy azotowany**

Ejector sleeve nitrided

**EMT**

DIN 16756 / ISO 8405



Azotowany / Nitrided

Mat:  
Stal narzędziowa  
do pracy na gorąco  
Hot working tool steel  
500-550°C

d3	d1	d2	k	d4	l <sub>min</sub>	L				
						75	100	125	150	175
2,0	4	8		2,5	35	EMT-02004075	EMT-02004100	EMT-02004125	EMT-02004150	EMT-02004175
2,2						EMT-02204075	EMT-02204100	EMT-02204125	EMT-02204150	EMT-02204175
2,5						EMT-02504100				
2,5	5	10	3	3,0	35	EMT-02505075	EMT-02505100	EMT-02505125	EMT-02505150	EMT-02505175
2,7			EMT-02705075			EMT-02705100	EMT-02705125	EMT-02705150		
3,0			EMT-03005075			EMT-03005100	EMT-03005125	EMT-03005150	EMT-03005175	
3,2	6	12		3,5	45	EMT-03205075	EMT-03205100	EMT-03205125	EMT-03205150	EMT-03205175
3,5						EMT-03505100	EMT-03505125	EMT-03505150	EMT-03505175	
3,5						EMT-03506075	EMT-03506100	EMT-03506125	EMT-03506150	EMT-03506175
3,7	8	14		4,0	45	EMT-03706075	EMT-03706100	EMT-03706125	EMT-03706150	EMT-03706175
4,0						EMT-04006075	EMT-04006100	EMT-04006125	EMT-04006150	EMT-04006175
4,2						EMT-04208075	EMT-04208100	EMT-04208125	EMT-04208150	EMT-04208175
5,0	10	16	5	4,5	45	EMT-05008075	EMT-05008100	EMT-05008125	EMT-05008150	EMT-05008175
5,2						EMT-05208075	EMT-05208100	EMT-05208125	EMT-05208150	EMT-05208175
6,0						EMT-06010075	EMT-06010100	EMT-06010125	EMT-06010150	EMT-06010175
6,2	12	20		6,5	45	EMT-06210075	EMT-06210100	EMT-06210125	EMT-06210150	EMT-06210175
8,0						EMT-08012075	EMT-08012100	EMT-08012125	EMT-08012150	EMT-08012175
8,2						EMT-08212075	EMT-08212100	EMT-08212125	EMT-08212150	EMT-08212175
10,0	14	22	7	10,5	50	EMT-10014075	EMT-10014100	EMT-10014125	EMT-10014150	EMT-10014175
10,2						EMT-10214100	EMT-10214125	EMT-10214150		
10,5						EMT-10514100	EMT-10514125	EMT-10514150	EMT-10514175	
12,0	16			12,5	50	EMT-12016075	EMT-12016100	EMT-12016125	EMT-12016150	EMT-12016175
12,5						EMT-12516100	EMT-12516125	EMT-12516150	EMT-12516175	

## Wypychacz tulejowy azotowany

Ejector sleeve nitrided

# EMT

d3	d1	d2	k	d4	l <sub>min</sub>	L				
						200	225	250	275	
2,0	4	8	3	2,5	35	EMT-02004200				
3,0	5	10		3,5	45	EMT-03005200	EMT-03005225			
3,2						EMT-03205200	EMT-03205225			
3,5	6	12	4,0	45	EMT-03506200					
4,0					EMT-04006200	EMT-04006225				
4,2					EMT-04208200	EMT-04208225				
5,0	8	14	5,5	45	EMT-05008200	EMT-05008225				
5,2					EMT-05208200	EMT-05208225				
6,0					10	16	6,5	EMT-06010200	EMT-06010225	EMT-06010250
6,2	EMT-06210200	EMT-06210225	EMT-06210250							
8,0	12	20	8,5	45	EMT-08012200	EMT-08012225	EMT-08012250	EMT-08012275		
8,2					EMT-08212200	EMT-08212225	EMT-08212250	EMT-08212275		
10,0					14	22	10,5	50	EMT-10014200	EMT-10014225
10,2	EMT-10214200	EMT-10214225	EMT-10214250	EMT-10214275						
10,5	EMT-10514200	EMT-10514225								
12,0	16	12,5	EMT-12016200	EMT-12016225					EMT-12016250	EMT-12016275
12,5			EMT-12516200	EMT-12516225					EMT-12516250	EMT-12516275

**Uwaga. Inne wymiary na zapytanie**

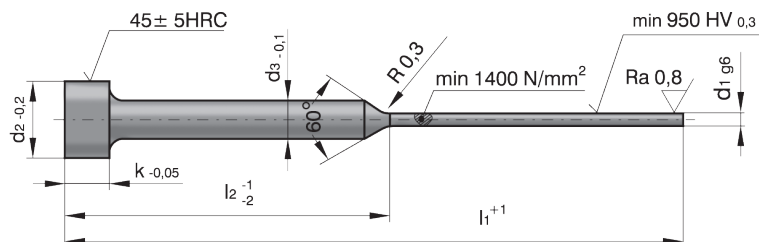
*Note. Other dimensions on request.*

**Wypychacz odsadzany azotowany**

Step pin nitrided

**ESM**

DIN 1530-2 / ISO 8694



**DIN 1530**  
Azotowany / Nitrided  
Mat:  
Stal narzędziowa  
do pracy na gorąco  
Hot working tool steel  
500-550°C

d1	d2	d3	k	NR KAT.				
				l2=35 l1=80	l2=50 l1=100	l2=50 l1=125	l2=75 l1=160	l2=75 l1=200
0,8	4	2	2	ESM-0835080	ESM-0850100	ESM-0850125	ESM-0875160	
0,9				ESM-0935080	ESM-0950100	ESM-0950125	ESM-0975160	
1,0				ESM-1035080	ESM-1050100	ESM-1050125	ESM-1075160	
1,1				ESM-1135080	ESM-1150100	ESM-1150125	ESM-1175160	
1,2				ESM-1235080	ESM-1250100	ESM-1250125	ESM-1275160	
1,3				ESM-1335080	ESM-1350100	ESM-1350125	ESM-1375160	
1,4				ESM-1435080	ESM-1450100	ESM-1450125	ESM-1475160	
1,5				6	3	3	ESM-1535080	ESM-1550100
1,6	ESM-1635080	ESM-1650100	ESM-1650125				ESM-1675160	ESM-1675200
1,7	ESM-1735080	ESM-1750100	ESM-1750125				ESM-1775160	ESM-1775200
1,8	ESM-1835080	ESM-1850100	ESM-1850125				ESM-1875160	ESM-1875200
1,9	ESM-1935080	ESM-1950100	ESM-1950125				ESM-1975160	ESM-1975200
2,0	ESM-2035080	ESM-2050100	ESM-2050125				ESM-2075160	ESM-2075200
2,1	ESM-2135080	ESM-2150100	ESM-2150125				ESM-2175160	ESM-2175200
2,2	ESM-2235080	ESM-2250100	ESM-2250125				ESM-2275160	ESM-2275200
2,3	ESM-2335080	ESM-2350100	ESM-2350125				ESM-2375160	ESM-2375200
2,4	ESM-2435080	ESM-2450100	ESM-2450125				ESM-2475160	ESM-2475200
2,5		ESM-2550100	ESM-2550125				ESM-2575160	ESM-2575200
2,6		ESM-2650100	ESM-2650125				ESM-2675160	ESM-2675200
2,7		ESM-2750100	ESM-2750125				ESM-2775160	ESM-2775200
2,8		ESM-2850100	ESM-2850125				ESM-2875160	ESM-2875200
2,9		ESM-2950100	ESM-2950125				ESM-2975160	ESM-2975200

**Uwaga. Inne wymiary na zapytanie**  
Note. Other dimensions on request.

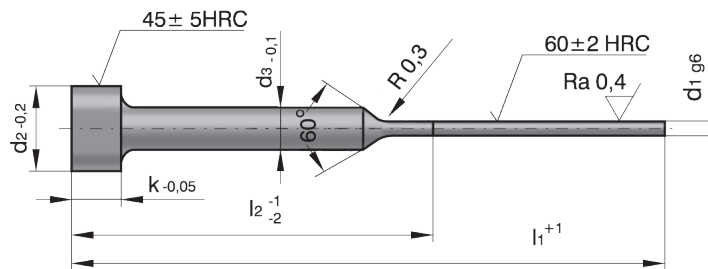


**Wypychacz odsadzany hartowany**

Step pin hardened

**OH**

DIN 1530-2 / ISO 8694



**Uwaga: Dostępne także z powłoką DLC**  
**W celu zamówienia skontaktuj się z nami.**  
 Note: DLC coating available. Contact FCPK for details.

**Mat.: Stal narzędziowa Tool steel 250°C**

d1	d2	d3	k	NR KAT.				
				l2=35	l2=50	l2=50	l2=75	l2=75
				l1=80	l1=100	l1=125	l1=160	l1=200
0,8	4	2	2	OH - 080080	OH - 080100	OH - 080125	OH - 080160	
0,9				OH - 090080	OH - 090100	OH - 090125	OH - 090160	
1,0				OH - 100080	OH - 100100	OH - 100125	OH - 100160	
1,1				OH - 110080	OH - 110100	OH - 110125	OH - 110160	
1,2				OH - 120080	OH - 120100	OH - 120125	OH - 120160	
1,3				OH - 130080	OH - 130100	OH - 130125	OH - 130160	
1,4				OH - 140080	OH - 140100	OH - 140125	OH - 140160	
1,5							OH - 150160	OH - 150200
1,6	6	3	3	OH - 160080	OH - 160100	OH - 160125	OH - 160160	OH - 160200
1,7				OH - 170080	OH - 170100	OH - 170125	OH - 170160	OH - 170200
1,8				OH - 180080	OH - 180100	OH - 180125	OH - 180160	OH - 180200
1,9				OH - 190080	OH - 190100	OH - 190125	OH - 190160	OH - 190200
2,0				OH - 200080	OH - 200100	OH - 200125	OH - 200160	OH - 200200
2,1				OH - 210080	OH - 210100	OH - 210125	OH - 210160	OH - 210200
2,2				OH - 220080	OH - 220100	OH - 220125	OH - 220160	OH - 220200
2,3				OH - 230080	OH - 230100	OH - 230125	OH - 230160	OH - 230200
2,4				OH - 240080	OH - 240100	OH - 240125	OH - 240160	OH - 240200
2,5					OH - 250100	OH - 250125	OH - 250160	OH - 250200
2,6					OH - 260100	OH - 260125	OH - 260160	OH - 260200
2,7					OH - 270100	OH - 270125	OH - 270160	OH - 270200
2,8		OH - 280100	OH - 280125	OH - 280160	OH - 280200			
2,9		OH - 290100	OH - 290125	OH - 290160	OH - 290200			

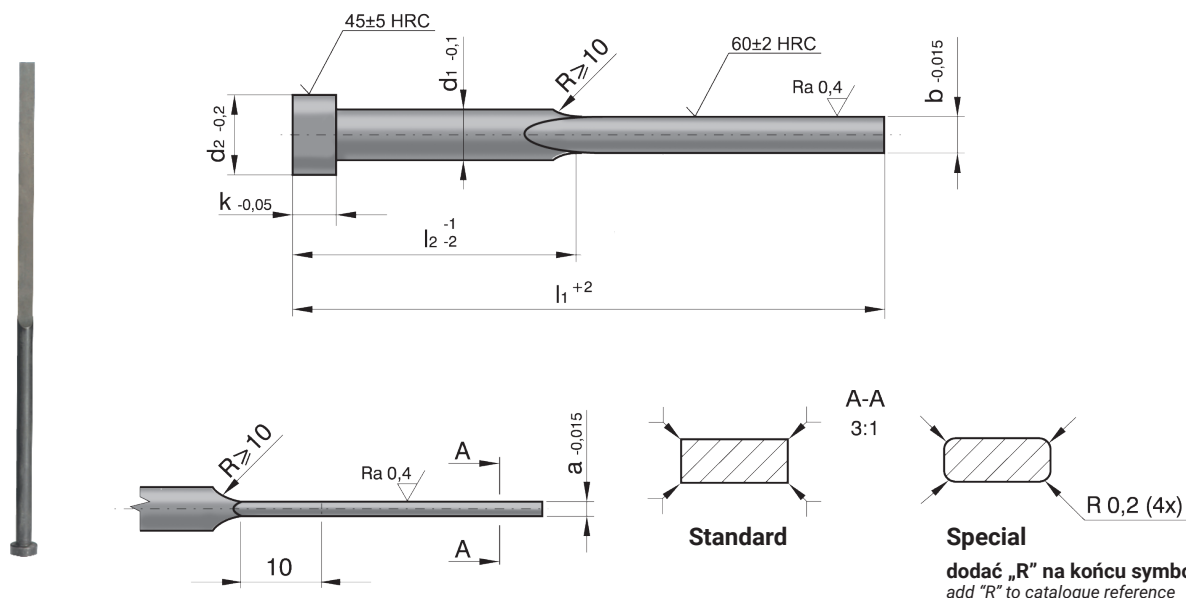
**Uwaga. Inne wymiary na zapytanie**  
 Note. Other dimensions on request.

**Wypychacz płaski hartowany**

Flat ejector pin hardened

**OHP**

DIN 1530-4 / ISO 8693



**Uwaga: Dostępne także z powłoką DLC**  
**W celu zamówienia skontaktuj się z nami.**  
 Note: DLC coating available. Contact FCPK for details.

**Mat.: Stal narzędziowa Tool steel 250°C**

b	a	d1	d2	k	NR KAT.					
					l1=63	l1=80	l1=100	l1=125	l1=160	l1=200
					l2=30	l2=40	l2=50	l2=60	l2=80	l2=100
3,8	0,8	4,2	8	3	OHP-03808063	OHP-03808080	OHP-03808100	OHP-03808125		
	1,0				OHP-03810063	OHP-03810080	OHP-03810100	OHP-03810125	OHP-03810160	
	1,2					OHP-03812080	OHP-03812100	OHP-03812125	OHP-03812160	OHP-03812200
4,5	1,0	5,0	10			OHP-04510080	OHP-04510100	OHP-04510125	OHP-04510160	OHP-04510200
	1,2					OHP-04512080	OHP-04512100	OHP-04512125	OHP-04512160	OHP-04512200
	1,5						OHP-04515100	OHP-04515125	OHP-04515160	OHP-04515200
5,5	1,0	6,0	12	5		OHP-05510080	OHP-05510100	OHP-05510125	OHP-05510160	—
	1,2					OHP-05512080	OHP-05512100	OHP-05512125	OHP-05512160	OHP-05512200

b	a	d1	d2	k	NR KAT.					
					l1=100	l1=125	l1=160	l1=200	l1=250	l1=315
					l2=50	l2=60	l2=80	l2=100	l2=125	l2=160
5,5	1,5	6,0	12	5	OHP-05515100	OHP-05515125	OHP-05515160	OHP-05515200		
	2,0					OHP-05520125	OHP-05520160	OHP-05520200		
7,5	1,2	8,0	14		OHP-07512100	OHP-07512125	OHP-07512160	OHP-07512200		
	1,5					OHP-07515125	OHP-07515160	OHP-07515200	OHP-07515250	
	2,0						OHP-07520160	OHP-07520200	OHP-07520250	
9,5	1,5	10	16				OHP-09515160	OHP-09515200	OHP-09515250	
	2,0					OHP-09520200	OHP-09520250	OHP-09520315		
11,5	2,0	12	18	7				OHP-11520200	OHP-11520250	OHP-11520315
	2,5							OHP-11525200	OHP-11525250	OHP-11525315

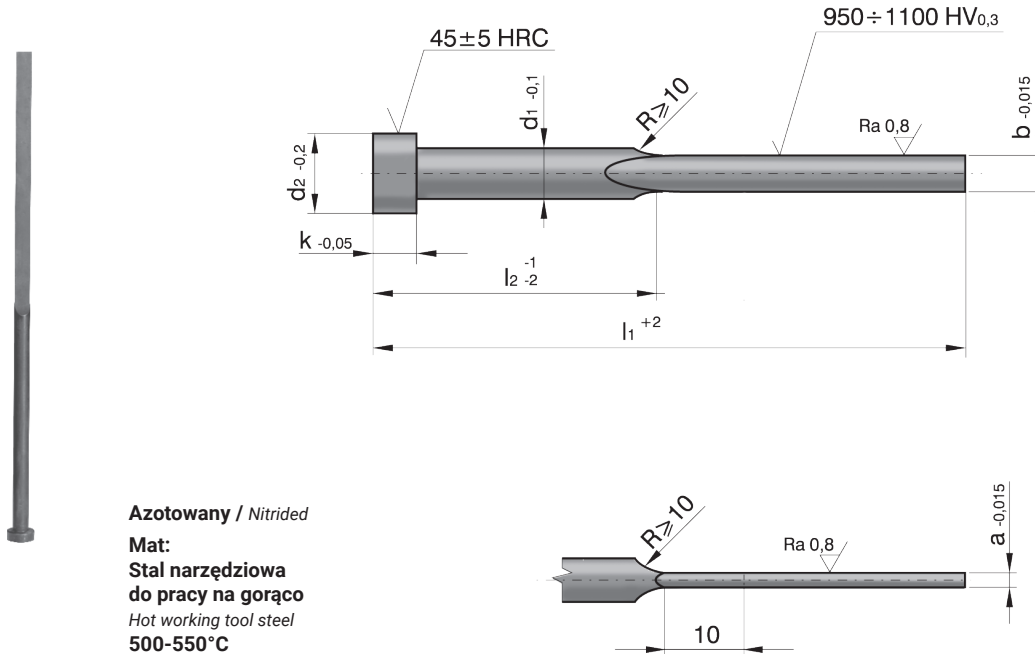
**Uwaga. Inne wymiary na zapytanie**  
 Note. Other dimensions on request.

**Wypychacz płaski azotowany**

Flat ejector pin nitrided

**ESP**

DIN 1530-4 / ISO 8693



**Azotowany / Nitrided**  
**Mat:**  
**Stal narzędziowa**  
**do pracy na gorąco**  
*Hot working tool steel*  
**500-550°C**

b	a	d1	d2	k	NR KAT.				
					l1=80	l1=100	l1=125	l1=160	l1=200
					l2=40	l2=50	l2=60	l2=80	l2=100
3,8	0,8	4,2	8	3	ESP-03808080	ESP-03808100	ESP-03808125		
	1,0				ESP-03810080	ESP-03810100	ESP-03810125	ESP-03810160	
	1,2				ESP-03812080	ESP-03812100	ESP-03812125	ESP-03812160	
4,5	1,0	5,0	10	3	ESP-04510080	ESP-04510100	ESP-04510125	ESP-04510160	
	1,2				ESP-04512080	ESP-04512100	ESP-04512125	ESP-04512160	
	1,5					ESP-04515100	ESP-04515125	ESP-04515160	ESP-04515200
5,5	1,0	6,0	12	5	ESP-05510080	ESP-05510100	ESP-05510125	ESP-05510160	
	1,2				ESP-05512080	ESP-05512100	ESP-05512125	ESP-05512160	
	1,5					ESP-05515100	ESP-05515125	ESP-05515160	ESP-05515200
	2,0						ESP-05520125	ESP-05520160	ESP-05520200

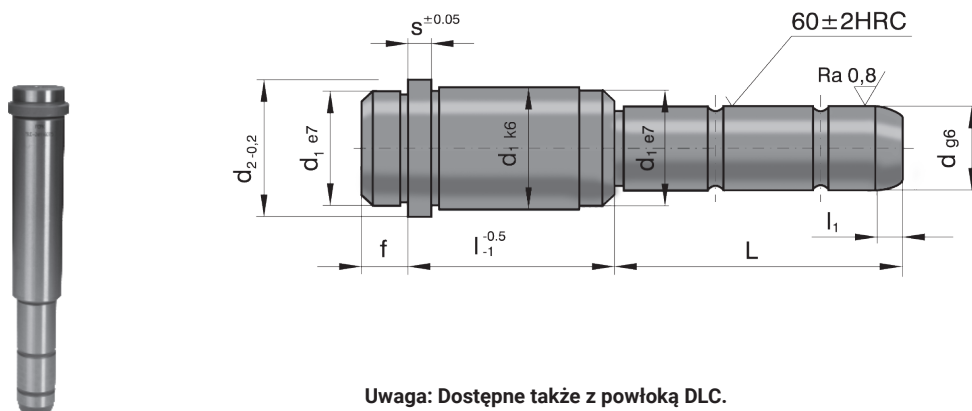
b	a	d1	d2	k	NR KAT.					
					l1=125	l1=160	l1=200	l1=250	l1=315	l1=400
					l2=60	l2=80	l2=100	l2=125	l2=160	l2=200
7,5	1,2	8,0	14	5	ESP-07512125	ESP-07512160	ESP-07512200			
	1,5				ESP-07515125	ESP-07515160	ESP-07515200	ESP-07515250		
	2,0					ESP-07520160	ESP-07520200	ESP-07520250	ESP-07520315	
9,5	1,5	10	16	5		ESP-09515160	ESP-09515200	ESP-09515250	ESP-09515315	
	2,0						ESP-09520200	ESP-09520250	ESP-09520315	ESP-09520400
11,5	2,0	12	18	7			ESP-11520200	ESP-11520250	ESP-11520315	ESP-11520400
	2,5						ESP-11525200	ESP-11525250	ESP-11525315	ESP-11525400
15,5	2,0	16	22	7			ESP-15520200	ESP-15520250	ESP-15520315	ESP-15520400
	2,5						ESP-15525200	ESP-15525250	ESP-15525315	ESP-15525400

**Uwaga. Inne wymiary na zapytanie**  
*Note. Other dimensions on request.*

**Słup prowadzący**

Leader pin

**SLE**



**Uwaga: Dostępne także z powłoką DLC.**  
**W celu zamówienia skontaktuj się z nami.**  
 Note: Available with DLC coating. Contact FCPK for details.

d	d1	d2	s	f	l1	l	L	NR KAT.	NR KAT.
10	14	16	3	3	4	12	25		SLE-10012025
							45		SLE-10012045
							65		SLE-10012065
						17	20		SLE-10017020
							30		SLE-10017030
							50		SLE-10017050
							70		SLE-10017070
						22	25		SLE-10022025
							35		SLE-10022035
							55		SLE-10022055
							75		SLE-10022075
							95		SLE-10022095
						27	20		SLE-10027020
							30		SLE-10027030
							50		SLE-10027050
							70		SLE-10027070
							90		SLE-10027090
						36	25		SLE-10036025
							45		SLE-10036045
							65		SLE-10036065
85		SLE-10036085							
46	30		SLE-10046030						
	45		SLE-10046045						
	70		SLE-10046070						
56	35		SLE-10056035						
	60		SLE-10056060						

# Słup prowadzący

Leader pin

# SLE

d	d1	d2	s	f	l1	l	L	NR KAT.	NR KAT.
14/15	20	25	6	9	7	17	35	SLE-14017035	SLE-15017035
							55	SLE-14017055	SLE-15017055
							75	SLE-14017075	SLE-15017075
							95	SLE-14017095	SLE-15017095
						22	30	SLE-14022030	SLE-15022030
							50	SLE-14022050	SLE-15022050
							70	SLE-14022070	SLE-15022070
							90	SLE-14022090	SLE-15022090
							110	SLE-14022110	SLE-15022110
							125	SLE-14022125	SLE-15022125
						27	150	SLE-14022150	SLE-15022150
							30	SLE-14027030	SLE-15027030
							45	SLE-14027045	SLE-15027045
							65	SLE-14027065	SLE-15027065
							85	SLE-14027085	SLE-15027085
							105	SLE-14027105	SLE-15027105
							125	SLE-14027125	SLE-15027125
						36	145	SLE-14027145	SLE-15027145
							165	SLE-14027165	SLE-15027165
							35	SLE-14036035	SLE-15036035
							55	SLE-14036055	SLE-15036055
							75	SLE-14036075	SLE-15036075
							95	SLE-14036095	SLE-15036095
						46	125	SLE-14036125	SLE-15036125
							155	SLE-14036155	SLE-15036155
							35	SLE-14046035	SLE-15046035
							45	SLE-14046045	SLE-15046045
							65	SLE-14046065	SLE-15046065
							85	SLE-14046085	SLE-15046085
							105	SLE-14046105	SLE-15046105
						56	125	SLE-14046125	SLE-15046125
							145	SLE-14046145	SLE-15046145
							35	SLE-14056035	SLE-15056035
							55	SLE-14056055	SLE-15056055
							75	SLE-14056075	SLE-15056075
						66	95	SLE-14056095	SLE-15056095
							135	SLE-14056135	SLE-15056135
							55	SLE-14066055	SLE-15066055
							65	SLE-14066065	SLE-15066065
						76	95	SLE-14066095	SLE-15066095
125	SLE-14066125	SLE-15066125							
55	SLE-14076055	SLE-15076055							
86	95	SLE-14076095	SLE-15076095						
	55	SLE-14086055	SLE-15086055						
96	95	SLE-14086095	SLE-15086095						
	55	SLE-14096055	SLE-15096055						
116	95	SLE-14096095	SLE-15096095						
	75	SLE-14116075	SLE-15116075						

## Słup prowadzący

Leader pin

# SLE

d	d1	d2	s	f	l1	l	L	NR KAT.	NR KAT.
18/20	26	31	6	9	7	17	35	SLE-18017035	SLE-20017035
							55	SLE-18017055	SLE-20017055
							75	SLE-18017075	SLE-20017075
							120	SLE-18017120	SLE-20017120
						22	35	SLE-18022035	SLE-20022035
							45	SLE-18022045	SLE-20022045
							65	SLE-18022065	SLE-20022065
							85	SLE-18022085	SLE-20022085
							115	SLE-18022115	SLE-20022115
						27	35	SLE-18027035	SLE-20027035
							45	SLE-18027045	SLE-20027045
							65	SLE-18027065	SLE-20027065
							85	SLE-18027085	SLE-20027085
							105	SLE-18027105	SLE-20027105
							125	SLE-18027125	SLE-20027125
							165	SLE-18027165	SLE-20027165
							225	SLE-18027225	SLE-20027225
						36	245	SLE-18027245	SLE-20027245
							35	SLE-18036035	SLE-20036035
							55	SLE-18036055	SLE-20036055
							75	SLE-18036075	SLE-20036075
							95	SLE-18036095	SLE-20036095
							115	SLE-18036115	SLE-20036115
							135	SLE-18036135	SLE-20036135
							165	SLE-18036165	SLE-20036165
						46	225	SLE-18036225	SLE-20036225
							255	SLE-18036255	SLE-20036255
							35	SLE-18046035	SLE-20046035
							45	SLE-18046045	SLE-20046045
							65	SLE-18046065	SLE-20046065
							85	SLE-18046085	SLE-20046085
							105	SLE-18046105	SLE-20046105
							135	SLE-18046135	SLE-20046135
						56	165	SLE-18046165	SLE-20046165
							245	SLE-18046245	SLE-20046245
							35	SLE-18056035	SLE-20056035
							55	SLE-18056055	SLE-20056055
							75	SLE-18056075	SLE-20056075
						66	95	SLE-18056095	SLE-20056095
							155	SLE-18056155	SLE-20056155
35	SLE-18066035	SLE-20066035							
55	SLE-18066055	SLE-20066055							
75	SLE-18066075	SLE-20066075							
76	95	SLE-18066095	SLE-20066095						
	145	SLE-18066145	SLE-20066145						
	55	SLE-18076055	SLE-20076055						
	75	SLE-18076075	SLE-20076075						
							95	SLE-18076095	SLE-20076095
							135	SLE-18076135	SLE-20076135

## Słup prowadzący

Leader pin

# SLE

d	d1	d2	s	f	l1	l	L	NR KAT.	NR KAT.
18/20	26	31	6	9	7	86	55	SLE-18086055	SLE-20086055
							75	SLE-18086075	SLE-20086075
							95	SLE-18086095	SLE-20086095
							125	SLE-18086125	SLE-20086125
						96	55	SLE-18096055	SLE-20096055
							95	SLE-18096095	SLE-20096095
						116	75	SLE-18116075	SLE-20116075
							115	SLE-18116115	SLE-20116115
						136	135	SLE-18136135	SLE-20136135
						22/24	30	35	6
55	SLE-22017055	SLE-24017055							
75	SLE-22017075	SLE-24017075							
22	35	SLE-22022035	SLE-24022035						
	55	SLE-22022055	SLE-24022055						
	75	SLE-22022075	SLE-24022075						
	105	SLE-22022105	SLE-24022105						
	130	SLE-22022130	SLE-24022130						
	165	SLE-22022165	SLE-24022165						
27	35	SLE-22027035	SLE-24027035						
	45	SLE-22027045	SLE-24027045						
	65	SLE-22027065	SLE-24027065						
	85	SLE-22027085	SLE-24027085						
	105	SLE-22027105	SLE-24027105						
	125	SLE-22027125	SLE-24027125						
	165	SLE-22027165	SLE-24027165						
	205	SLE-22027205	SLE-24027205						
	245	SLE-22027245	SLE-24027245						
	285	SLE-22027285	SLE-24027285						
36	35	SLE-22036035	SLE-24036035						
	55	SLE-22036055	SLE-24036055						
	75	SLE-22036075	SLE-24036075						
	95	SLE-22036095	SLE-24036095						
	115	SLE-22036115	SLE-24036115						
	135	SLE-22036135	SLE-24036135						
	165	SLE-22036165	SLE-24036165						
	205	SLE-22036205	SLE-24036205						
	245	SLE-22036245	SLE-24036245						
	285	SLE-22036285	SLE-24036285						
46	35	SLE-22046035	SLE-24046035						
	45	SLE-22046045	SLE-24046045						
	65	SLE-22046065	SLE-24046065						
	85	SLE-22046085	SLE-24046085						
	105	SLE-22046105	SLE-24046105						
	125	SLE-22046125	SLE-24046125						
	165	SLE-22046165	SLE-24046165						
	205	SLE-22046205	SLE-24046205						

## Słup prowadzący

Leader pin

# SLE

d	d1	d2	s	f	l1	l	L	NR KAT.	NR KAT.						
22/24	30	35	6	9	7	56	35	SLE-22056035	SLE-24056035						
							55	SLE-22056055	SLE-24056055						
							75	SLE-22056075	SLE-24056075						
							95	SLE-22056095	SLE-24056095						
							115	SLE-22056115	SLE-24056115						
							165	SLE-22056165	SLE-24056165						
						66	35	SLE-22066035	SLE-24066035						
							55	SLE-22066055	SLE-24066055						
							75	SLE-22066075	SLE-24066075						
							95	SLE-22066095	SLE-24066095						
							155	SLE-22066155	SLE-24066155						
						76	55	SLE-22076055	SLE-24076055						
							75	SLE-22076075	SLE-24076075						
							95	SLE-22076095	SLE-24076095						
							115	SLE-22076115	SLE-24076115						
						86	145	SLE-22076145	SLE-24076145						
							55	SLE-22086055	SLE-24086055						
							75	SLE-22086075	SLE-24086075						
							95	SLE-22086095	SLE-24086095						
						96	135	SLE-22086135	SLE-24086135						
							55	SLE-22096055	SLE-24096055						
							75	SLE-22096075	SLE-24096075						
							95	SLE-22096095	SLE-24096095						
						116	125	SLE-22096125	SLE-24096125						
							75	SLE-22116075	SLE-24116075						
							115	SLE-22116115	SLE-24116115						
							155	SLE-22116155	SLE-24116155						
						136	95	SLE-22136095	SLE-24136095						
							135	SLE-22136135	SLE-24136135						
							156	SLE-22156155	SLE-24156155						
						30/32	42	47	6	9	7	22	35	SLE-30022035	SLE-32022035
													75	SLE-30022075	SLE-32022075
130	SLE-30022130	SLE-32022130													
27	45	SLE-30027045	SLE-32027045												
	65	SLE-30027065	SLE-32027065												
	105	SLE-30027105	SLE-32027105												
	165	SLE-30027165	SLE-32027165												
	185	SLE-30027185	SLE-32027185												
	245	SLE-30027245	SLE-32027245												
36	285	SLE-30027285	SLE-32027285												
	55	SLE-30036055	SLE-32036055												
	75	SLE-30036075	SLE-32036075												
	95	SLE-30036095	SLE-32036095												
	115	SLE-30036115	SLE-32036115												
	155	SLE-30036155	SLE-32036155												
	245	SLE-30036245	SLE-32036245												
285	SLE-30036285	SLE-32036285													



## Słup prowadzący

Leader pin

# SLE

d	d1	d2	s	f	l1	l	L	NR KAT.	NR KAT.	
30/32	42	47	6	9	7	46	45	SLE-30046045	SLE 32046045	
							65	SLE-30046065	SLE-32046065	
							85	SLE-30046085	SLE-32046085	
							105	SLE-30046105	SLE 32046105	
							125	SLE-30046125	SLE-32046125	
							165	SLE-30046165	SLE-32046165	
							245	SLE-30046245	SLE-32046245	
							285	SLE-30046285	SLE-32046285	
						56	55	SLE-30056055	SLE-32056055	
							75	SLE-30056075	SLE-32056075	
							95	SLE-30056095	SLE 32056095	
							115	SLE-30056115	SLE-32056115	
							135	SLE-30056135	SLE-32056135	
							175	SLE-30056175	SLE-32056175	
							245	SLE-30056245	SLE-32056245	
							295	SLE-30056295	SLE-32056295	
						66	55	SLE-30066055	SLE-32066055	
							75	SLE-30066075	SLE-32066075	
							95	SLE-30066095	SLE-32066095	
							115	SLE-30066115	SLE-32066115	
							135	SLE-30066135	SLE-32066135	
							175	SLE30066175	SLE 32066175	
							245	SLE-30066245	SLE 32066245	
							295	SLE-30066295	SLE-32066295	
						76	55	SLE-30076055	SLE-32076055	
							75	SLE-30076075	SLE-32076075	
							95	SLE-30076095	SLE-32076095	
							115	SLE-30076115	SLE-32076115	
							155	SLE-30076155	SLE-32076155	
							225	SLE-30076225	SLE-32076225	
							86	55	SLE-30086055	SLE-32086055
								75	SLE-30086075	SLE-32086075
						95		SLE-30086095	SLE-32086095	
						115		SLE-30086115	SLE-32086115	
						155		SLE-30086155	SLE-32086155	
						225		SLE-30086225	SLE-32086225	
						96	55	SLE-30096055	SLE-32096055	
							75	SLE-30096075	SLE -32096075	
							95	SLE-30096095	SLE-32096095	
							115	SLE-30096115	SLE-32096115	
							155	SLE-30096155	SLE-32096155	
							205	SLE-30096205	SLE-32096205	
						116	75	SLE-30116075	SLE-32116075	
							115	SLE-30116115	SLE-32116115	
							155	SLE-30116155	SLE-32116155	
						136	95	SLE-30136095	SLE-32136095	
							115	SLE-30136115	SLE-32136115	
							155	SLE-30136155	SLE-32136155	
156	115	SLE-30156115	SLE-32156115							
	155	SLE-30156155	SLE-32156155							

## Słup prowadzący

Leader pin

# SLE

d	d1	d2	s	f	l1	l	L	NR KAT.	NR KAT.
30/32	42	47	6	9	7	176	135	SLE-30176135	SLE-32176135
							175	SLE-30176175	SLE-32176175
						196	155	SLE-30196155	SLE-32196155
							195	SLE-30196195	SLE-32196195
40/42	54	60	10	12	7	36	75	SLE-40036075	SLE-42036075
							135	SLE-40036135	SLE-42036135
						46	95	SLE-40046095	SLE-42046095
							165	SLE-40046165	SLE-42046165
						56	75	SLE-40056075	SLE-42056075
							115	SLE-40056115	SLE-42056115
							155	SLE-40056155	SLE-42056155
						66	195	SLE-40056195	SLE-42056195
							75	SLE-40066075	SLE-42066075
							135	SLE-40066135	SLE-42066135
						76	75	SLE-40076075	SLE-42076075
							115	SLE-40076115	SLE-42076115
							175	SLE-40076175	SLE-42076175
						86	75	SLE-40086075	SLE-42086075
							135	SLE-40086135	SLE-42086135
						96	75	SLE-40096075	SLE-42096075
							115	SLE-40096115	SLE-42096115
							155	SLE-40096155	SLE-42096155
						116	95	SLE-40116095	SLE-42116095
							135	SLE-40116135	SLE-42116135
							195	SLE-40116195	SLE-42116195
						136	95	SLE-40136095	SLE-42136095
							135	SLE-40136135	SLE-42136135
							215	SLE-40136215	SLE-42136215
						156	115	SLE-40156115	SLE-42156115
							155	SLE-40156155	SLE-42156155
							215	SLE-40156215	SLE-42156215
						176	135	SLE-40176135	SLE-42176135
							155	SLE-40176155	SLE-42176155
							175	SLE-40176175	SLE-42176175
						196	155	SLE-40196155	SLE-42196155
							195	SLE-40196195	SLE-42196195
							235	SLE-40196235	SLE-42196235
						246	165	SLE-40246165	SLE-42246165
							245	SLE-40246245	SLE-42246245
						50/52	66	71	10
95	SLE-50056095	SLE-52056095							
115	SLE-50056115	SLE-52056115							
155	SLE-50056155	SLE-52056155							
66	75	SLE-50066075	SLE-52066075						
	95	SLE-50066095	SLE-52066095						
	115	SLE-50066115	SLE-52066115						
	155	SLE-50066155	SLE-52066155						
76	75	SLE-50076075	SLE-52076075						
	95	SLE-50076095	SLE-52076095						
	115	SLE-50076115	SLE-52076115						
	155	SLE-50076155	SLE-52076155						
						195	SLE-50076195	SLE-52076195	

## Słup prowadzący

Leader pin

# SLE

d	d1	d2	s	f	l1	l	L	NR KAT.	NR KAT.
50/52	66	71	10	12	10	86	75	SLE-50086075	SLE-52086075
							95	SLE-50086095	SLE-52086095
							115	SLE-50086115	SLE-52086115
							155	SLE-50086155	SLE-52086155
						96	95	SLE-50096095	SLE-52096095
							115	SLE-50096115	SLE-52096115
							155	SLE-50096155	SLE-52096155
							195	SLE-50096195	SLE-52096195
						116	115	SLE-50116115	SLE-52116115
							155	SLE-50116155	SLE-52116155
							195	SLE-50116195	SLE-52116195
						136	115	SLE-50136115	SLE-52136115
							155	SLE-50136155	SLE-52136155
							195	SLE-50136195	SLE-52136195
						156	135	SLE-50156135	SLE-52156135
							155	SLE-50156155	SLE-52156155
							195	SLE-50156195	SLE-52156195
						176	155	SLE-50176155	SLE-52176155
							195	SLE-50176195	SLE-52176195
							235	SLE-50176235	SLE-52176235
						196	155	SLE-50196155	SLE-52196155
							195	SLE-50196195	SLE-52196195
							235	SLE-50196235	SLE-52196235
						216	155	SLE-50216155	SLE-52216155
							195	SLE-50216195	SLE-52216195
							235	SLE-50216235	SLE-52216235
						236	155	SLE-50236155	SLE-52236155
							195	SLE-50236195	SLE-52236195
							235	SLE-50236235	SLE-52236235
							275	SLE-50236275	SLE-52236275
						256	155	SLE-50256155	SLE-52256155
							195	SLE-50256195	SLE-52256195
235	SLE-50256235	SLE-52256235							
275	SLE-50256275	SLE-52256275							



## Słup prowadzący

Leader pin

# SXE

d	d1	d2	s	l1	l	L	NR KAT.	NR KAT.
14/15	20	25	6	7	22	20	SXE-14022020	SXE-15022020
						35	SXE-14022035	SXE-15022035
						40	SXE-14022040	SXE-15022040
						45	SXE-14022045	SXE-15022045
						50	SXE-14022050	SXE-15022050
						55	SXE-14022055	SXE-15022055
						65	SXE-14022065	SXE-15022065
						70	SXE-14022070	SXE-15022070
						90	SXE-14022090	SXE-15022090
						110	SXE-14022110	SXE-15022110
					27	20	SXE-14027020	SXE-15027020
						35	SXE-14027035	SXE-15027035
						40	SXE-14027040	SXE-15027040
						45	SXE-14027045	SXE-15027045
						55	SXE-14027055	SXE-15027055
						65	SXE-14027065	SXE-15027065
						105	SXE-14027105	SXE-15027105
					36	20	SXE-14036020	SXE-15036020
						35	SXE-14036035	SXE-15036035
						40	SXE-14036040	SXE-15036040
						45	SXE-14036045	SXE-15036045
						55	SXE-14036055	SXE-15036055
						65	SXE-14036065	SXE-15036065
						75	SXE-14036075	SXE-15036075
						95	SXE-14036095	SXE-15036095
					46	20	SXE-14046020	SXE-15046020
						35	SXE-14046035	SXE-15046035
						45	SXE-14046045	SXE-15046045
						65	SXE-14046065	SXE-15046065
						105	SXE-14046105	SXE-15046105
					56	20	SXE-14056020	SXE-15056020
						35	SXE-14056035	SXE-15056035
						55	SXE-14056055	SXE-15056055
						75	SXE-14056075	SXE-15056075
						95	SXE-14056095	SXE-15056095
					66	55	SXE-14066055	SXE-15066055
						65	SXE-14066065	SXE-15066065
						95	SXE-14066095	SXE-15066095
					76	55	SXE-14076055	SXE-15076055
						95	SXE-14076095	SXE-15076095
					86	55	SXE-14086055	SXE-15086055
						95	SXE-14086095	SXE-15086095

## Słup prowadzący

Leader pin

# SXE

d	d1	d2	s	l1	l	L	NR KAT.	NR KAT.	
18/20	26	31	6	7	17	35	SXE-18017035	SXE-20017035	
						55	SXE-18017055	SXE-20017055	
						75	SXE-18017075	SXE-20017075	
						95	SXE-18017095	SXE-20017095	
					22	20	SXE-18022020	SXE-20022020	
						35	SXE-18022035	SXE-20022035	
						40	SXE-18022040	SXE-20022040	
						45	SXE-18022045	SXE-20022045	
						50	SXE-18022050	SXE-20022050	
						55	SXE-18022055	SXE-20022055	
						60	SXE-18022060	SXE-20022060	
						65	SXE-18022065	SXE-20022065	
						70	SXE-18022070	SXE-20022070	
						80	SXE-18022080	SXE-20022080	
						85	SXE-18022085	SXE-20022085	
						115	SXE-18022115	SXE-20022115	
						27	20	SXE-18027020	SXE-20027020
							35	SXE-18027035	SXE-20027035
					40		SXE-18027040	SXE-20027040	
					45		SXE-18027045	SXE-20027045	
					50		SXE-18027050	SXE-20027050	
					55		SXE-18027055	SXE-20027055	
					60		SXE-18027060	SXE-20027060	
					65		SXE-18027065	SXE-20027065	
					70		SXE-18027070	SXE-20027070	
					80		SXE-18027080	SXE-20027080	
					85		SXE-18027085	SXE-20027085	
					105		SXE-18027105	SXE-20027105	
					125		SXE-18027125	SXE-20027125	
					36		20	SXE-18036020	SXE-20036020
						35	SXE-18036035	SXE-20036035	
						40	SXE-18036040	SXE-20036040	
						45	SXE-18036045	SXE-20036045	
						50	SXE-18036050	SXE-20036050	
						55	SXE-18036055	SXE-20036055	
						60	SXE-18036060	SXE-20036060	
						65	SXE-18036065	SXE-20036065	
						70	SXE-18036070	SXE-20036070	
						75	SXE-18036075	SXE-20036075	
						80	SXE-18036080	SXE-20036080	
						95	SXE-18036095	SXE-20036095	
						115	SXE-18036115	SXE-20036115	
135	SXE-18036135	SXE-20036135							

## Słup prowadzący

Leader pin

# SXE

d	d1	d2	s	l1	l	L	NR KAT.	NR KAT.
18/20	26	31	6	7	46	20	SXE-18046020	SXE-20046020
						45	SXE-18046045	SXE-20046045
						65	SXE-18046065	SXE-20046065
						85	SXE-18046085	SXE-20046085
						105	SXE-18046105	SXE-20046105
						135	SXE-18046135	SXE-20046135
						165	SXE-18046165	SXE-20046165
					56	20	SXE-18056020	SXE-20056020
						35	SXE-18056035	SXE-20056035
						55	SXE-18056055	SXE-20056055
						75	SXE-18056075	SXE-20056075
						95	SXE-18056095	SXE-20056095
					66	55	SXE-18066055	SXE-20066055
						75	SXE-18066075	SXE-20066075
						95	SXE-18066095	SXE-20066095
					76	55	SXE-18076055	SXE-20076055
						75	SXE-18076075	SXE-20076075
						95	SXE-18076095	SXE-20076095
					86	55	SXE-18086055	SXE-20086055
						75	SXE-18086075	SXE-20086075
						95	SXE-18086095	SXE-20086095
					96	55	SXE-18096055	SXE-20096055
						95	SXE-18096095	SXE-20096095
					116	115	SXE-18116115	SXE-20116115
22/24	30	35	6	7	17	35	SXE-22017035	SXE-24017035
						55	SXE-22017055	SXE-24017055
						75	SXE-22017075	SXE-24017075
					22	35	SXE-22022035	SXE-24022035
						55	SXE-22022055	SXE-24022055
						75	SXE-22022075	SXE-24022075
						105	SXE-22022105	SXE-24022105
						130	SXE-22022130	SXE-24022130
					27	25	SXE-22027025	SXE-24027025
						45	SXE-22027045	SXE-24027045
						50	SXE-22027050	SXE-24027050
						60	SXE-22027060	SXE-24027060
						65	SXE-22027065	SXE-24027065
						70	SXE-22027070	SXE-24027070
						80	SXE-22027080	SXE-24027080
						85	SXE-22027085	SXE-24027085
						105	SXE-22027105	SXE-24027105
125	SXE-22027125	SXE-24027125						
165	SXE-22027165	SXE-24027165						

## Słup prowadzący

Leader pin

# SXE

d	d1	d2	s	l1	l	L	NR KAT.	NR KAT.					
22/24	30	35	6	7	36	25	SXE-22036025	SXE-24036025					
						45	SXE-22036045	SXE-24036045					
						50	SXE-22036050	SXE-24036050					
						55	SXE-22036055	SXE-24036055					
						60	SXE-22036060	SXE-24036060					
						70	SXE-22036070	SXE-24036070					
						75	SXE-22036075	SXE-24036075					
						80	SXE-22036080	SXE-24036080					
						95	SXE-22036095	SXE-24036095					
						115	SXE-22036115	SXE-24036115					
						135	SXE-22036135	SXE-24036135					
						165	SXE-22036165	SXE-24036165					
					46	30	35	6	7	46	25	SXE-22046025	SXE-24046025
											45	SXE-22046045	SXE-24046045
											50	SXE-22046050	SXE-24046050
											60	SXE-22046060	SXE-24046060
											65	SXE-22046065	SXE-24046065
											70	SXE-22046070	SXE-24046070
											80	SXE-22046080	SXE-24046080
											85	SXE-22046085	SXE-24046085
											105	SXE-22046105	SXE-24046105
											125	SXE-22046125	SXE-24046125
											165	SXE-22046165	SXE-24046165
											56	30	35
					45	SXE-22056045	SXE-24056045						
					55	SXE-22056055	SXE-24056055						
					75	SXE-22056075	SXE-24056075						
					95	SXE-22056095	SXE-24056095						
					115	SXE-22056115	SXE-24056115						
					66	30	35	6	7	66	55	SXE-22066055	SXE-24066055
											75	SXE-22066075	SXE-24066075
											95	SXE-22066095	SXE-24066095
					76	30	35	6	7	76	25	SXE-22076025	SXE-24076025
											45	SXE-22076045	SXE-24076045
											55	SXE-22076055	SXE-24076055
											75	SXE-22076075	SXE-24076075
											95	SXE-22076095	SXE-24076095
											115	SXE-22076115	SXE-24076115
					86	30	35	6	7	86	55	SXE-22086055	SXE-24086055
											75	SXE-22086075	SXE-24086075
											95	SXE-22086095	SXE-24086095
					96	30	35	6	7	96	55	SXE-22096055	SXE-24096055
75	SXE-22096075	SXE-24096075											
95	SXE-22096095	SXE-24096095											
116	30	35	6	7	116	75	SXE-22116075	SXE-24116075					
						115	SXE-22116115	SXE-24116115					



## Słup prowadzący

Leader pin

# SXE

d	d1	d2	s	l1	I	L	NR KAT.	NR KAT.
22/24	30	35	6	7	116	155	SXE-22116155	SXE-24116155
					136	135	SXE-22136135	SXE-24136135
					156	155	SXE-22156155	SXE-24156155
					22	35	SXE-30022035	SXE-32022035
						75	SXE-30022075	SXE-32022075
						130	SXE-30022130	SXE-32022130
					27	45	SXE-30027045	SXE-32027045
						65	SXE-30027065	SXE-32027065
						105	SXE-30027105	SXE-32027105
					36	165	SXE-30027165	SXE-32027165
						55	SXE-30036055	SXE-32036055
						75	SXE-30036075	SXE-32036075
						95	SXE-30036095	SXE-32036095
					46	115	SXE-30036115	SXE-32036115
						155	SXE-30036155	SXE-32036155
						45	SXE-30046045	SXE-32046045
						65	SXE-30046065	SXE-32046065
						85	SXE-30046085	SXE-32046085
					56	105	SXE-30046105	SXE-32046105
						125	SXE-30046125	SXE-32046125
						165	SXE-30046165	SXE-32046165
						55	SXE-30056055	SXE-32056055
						75	SXE-30056075	SXE-32056075
					66	95	SXE-30056095	SXE-32056095
						115	SXE-30056115	SXE-32056115
						135	SXE-30056135	SXE-32056135
						175	SXE-30056175	SXE-32056175
						55	SXE-30066055	SXE-32066055
					76	75	SXE-30066075	SXE-32066075
						95	SXE-30066095	SXE-32066095
						115	SXE-30066115	SXE-32066115
						135	SXE-30066135	SXE-32066135
						175	SXE-30066175	SXE-32066175
86	55	SXE-30076055	SXE-32076055					
	75	SXE-30076075	SXE-32076075					
	95	SXE-30076095	SXE-32076095					
	115	SXE-30076115	SXE-32076115					
	155	SXE-30076155	SXE-32076155					
					86	55	SXE-30086055	SXE-32086055
						75	SXE-30086075	SXE-32086075
						95	SXE-30086095	SXE-32086095
						115	SXE-30086115	SXE-32086115
						155	SXE-30086155	SXE-32086155

## Słup prowadzący

Leader pin

# SXE

d	d1	d2	s	l1	l	L	NR KAT.	NR KAT.					
30/32	42	47	6	7	96	55	SXE-30096055	SXE-32096055					
						75	SXE-30096075	SXE-32096075					
						95	SXE-30096095	SXE-32096095					
						115	SXE-30096115	SXE-32096115					
						155	SXE-30096155	SXE-32096155					
					116	75	SXE-30116075	SXE-32116075					
						115	SXE-30116115	SXE-32116115					
						155	SXE-30116155	SXE-32116155					
					136	95	SXE-30136095	SXE-32136095					
						115	SXE-30136115	SXE-32136115					
						155	SXE-30136155	SXE-32136155					
					156	115	SXE-30156115	SXE-32156115					
						155	SXE-30156155	SXE-32156155					
					176	135	SXE-30176135	SXE-32176135					
						175	SXE-30176175	SXE-32176175					
					196	155	SXE-30196155	SXE-32196155					
						195	SXE-30196195	SXE-32196195					
					40/42	54	60	10	7	36	75	SXE-40036075	SXE-42036075
											135	SXE-40036135	SXE-42036135
										46	95	SXE-40046095	SXE-42046095
165	SXE-40046165	SXE-42046165											
56	75	SXE-40056075	SXE-42056075										
	115	SXE-40056115	SXE-42056115										
	155	SXE-40056155	SXE-42056155										
	195	SXE-40056195	SXE-42056195										
66	75	SXE-40066075	SXE-42066075										
	135	SXE-40066135	SXE-42066135										
76	75	SXE-40076075	SXE-42076075										
	115	SXE-40076115	SXE-42076115										
	175	SXE-40076175	SXE-42076175										
86	75	SXE-40086075	SXE-42086075										
	135	SXE-40086135	SXE-42086135										
96	75	SXE-40096075	SXE-42096075										
	115	SXE-40096115	SXE-42096115										
	155	SXE-40096155	SXE-42096155										
116	95	SXE-40116095	SXE-42116095										
	135	SXE-40116135	SXE-42116135										
	195	SXE-40116195	SXE-42116195										
136	95	SXE-40136095	SXE-42136095										
	135	SXE-40136135	SXE-42136135										
	215	SXE-40136215	SXE-42136215										
156	115	SXE-40156115	SXE-42156115										
	155	SXE-40156155	SXE-42156155										
	215	SXE-40156215	SXE-42156215										
176	135	SXE-40176135	SXE-42176135										
	155	SXE-40176155	SXE-42176155										
	175	SXE-40176175	SXE-42176175										

## Słup prowadzący

Leader pin

# SXE

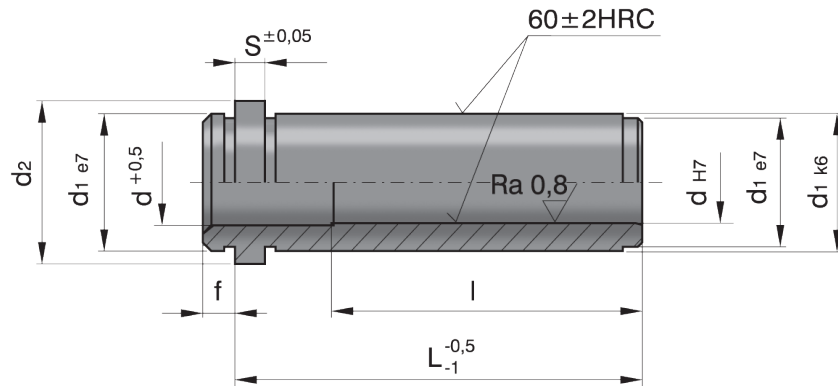
d	d1	d2	s	l1	l	L	NR KAT.	NR KAT.
40/42	54	60	10	7	196	155	SXE-40196155	SXE-42196155
						195	SXE-40196195	SXE-42196195
						235	SXE-40196235	SXE-42196235
					56	75	SXE-50056075	SXE-52056075
						95	SXE-50056095	SXE-52056095
						115	SXE-50056115	SXE-52056115
						155	SXE-50056155	SXE-52056155
					66	75	SXE-50066075	SXE-52066075
						95	SXE-50066095	SXE-52066095
						115	SXE-50066115	SXE-52066115
						155	SXE-50066155	SXE-52066155
					76	75	SXE-50076075	SXE-52076075
						95	SXE-50076095	SXE-52076095
						115	SXE-50076115	SXE-52076115
						135	SXE-50076135	SXE-52076135
						155	SXE-50076155	SXE-52076155
						175	SXE-50076175	SXE-52076175
					86	195	SXE-50076195	SXE-52076195
						75	SXE-50086075	SXE-52086075
						95	SXE-50086095	SXE-52086095
						115	SXE-50086115	SXE-52086115
					96	155	SXE-50086155	SXE-52086155
						95	SXE-50096095	SXE-52096095
						115	SXE-50096115	SXE-52096115
						135	SXE-50096135	SXE-52096135
						155	SXE-50096155	SXE-52096155
						175	SXE-50096175	SXE-52096175
						195	SXE-50096195	SXE-52096195
					116	215	SXE-50096215	SXE-52096215
						115	SXE-50116115	SXE-52116115
						135	SXE-50116135	SXE-52116135
						155	SXE-50116155	SXE-52116155
						175	SXE-50116175	SXE-52116175
						195	SXE-50116195	SXE-52116195
					136	215	SXE-50116215	SXE-52116215
						115	SXE-50136115	SXE-52136115
						135	SXE-50136135	SXE-52136135
						155	SXE-50136155	SXE-52136155
						175	SXE-50136175	SXE-52136175
195	SXE-50136195	SXE-52136195						
156	215	SXE-50136215	SXE-52136215					
	135	SXE-50156135	SXE-52156135					
	155	SXE-50156155	SXE-52156155					



**Tuleja prowadząca**

Leader pin bushing

**TPE**



**Uwaga: Dostępne także z powłoką DLC.**  
**W celu zamówienia skontaktuj się z nami.**  
 Note: Available with DLC coating. Contact FCPK for details.

d	d1	d2	s	f	l	L	NR KAT.	NR KAT.
10	14	16	3	3	15	12		TPE-10012
					20	17		TPE-10017
					25	22		TPE-10022
					30	27		TPE-10027
					39	36		TPE-10036
					46	46		TPE-10046
						56		TPE-10056
66		TPE-10066						
14/15	20	25	6	9	21	12	TPE-14012	TPE-15012
					26	17	TPE-14017	TPE-15017
					31	22	TPE-14022	TPE-15022
					36	27	TPE-14027	TPE-15027
					45	36	TPE-14036	TPE-15036
					55	46	TPE-14046	TPE-15046
					56	56	TPE-14056	TPE-15056
						66	TPE-14066	TPE-15066
						76	TPE-14076	TPE-15076
						86	TPE-14086	TPE-15086
						96	TPE-14096	TPE-15096
	116	TPE-14116	TPE-15116					
18/20	26	31	6	9	26	17	TPE-18017	TPE-20017
					31	22	TPE-18022	TPE-20022
					36	27	TPE-18027	TPE-20027
					45	36	TPE-18036	TPE-20036
					55	46	TPE-18046	TPE-20046
					65	56	TPE-18056	TPE-20056
					75	66	TPE-18066	TPE-20066
					76	76	TPE-18076	TPE-20076
						86	TPE-18086	TPE-20086
						96	TPE-18096	TPE-20096
						116	TPE-18116	TPE-20116
						136	TPE-18136	TPE-20136

## Tuleja prowadząca

Leader pin bushing

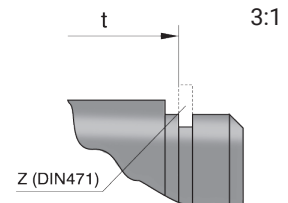
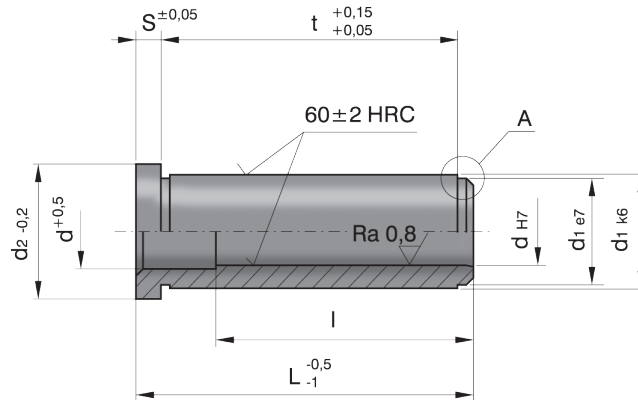
# TPE

d	d1	d2	s	f	l	L	NR KAT.	NR KAT.
22/24	30	35	6	9	26	17	TPE-22017	TPE-24017
					31	22	TPE-22022	TPE-24022
					36	27	TPE-22027	TPE-24027
					45	36	TPE-22036	TPE-24036
					55	46	TPE-22046	TPE-24046
					65	56	TPE-22056	TPE-24056
					75	66	TPE-22066	TPE-24066
					85	76	TPE-22076	TPE-24076
					95	86	TPE-22086	TPE-24086
					96	96	TPE-22096	TPE-24096
						116	TPE-22116	TPE-24116
						136	TPE-22136	TPE-24136
						156	TPE-22156	TPE-24156
30/32	42	47	6	9	31	22	TPE-30022	TPE-32022
					36	27	TPE-30027	TPE-32027
					45	36	TPE-30036	TPE-32036
					55	46	TPE-30046	TPE-32046
					65	56	TPE-30056	TPE-32056
					75	66	TPE-30066	TPE-32066
					85	76	TPE-30076	TPE-32076
					95	86	TPE-30086	TPE-32086
					105	96	TPE-30096	TPE-32096
					116	116	TPE-30116	TPE-32116
						136	TPE-30136	TPE-32136
						156	TPE-30156	TPE-32156
						176	TPE-30176	TPE-32176
196	TPE-30196	TPE-32196						
40/42	54	60	10	12	48	36	TPE-40036	TPE-42036
					58	46	TPE-40046	TPE-42046
					68	56	TPE-40056	TPE-42056
					78	66	TPE-40066	TPE-42066
					88	76	TPE-40076	TPE-42076
					98	86	TPE-40086	TPE-42086
					108	96	TPE-40096	TPE-42096
					128	116	TPE-40116	TPE-42116
					136	136	TPE-40136	TPE-42136
						156	TPE-40156	TPE-42156
						176	TPE-40176	TPE-42176
						196	TPE-40196	TPE-42196
					50/52	66	71	10
78	66	TPE-50066	TPE-52066					
88	76	TPE-50076	TPE-52076					
98	86	TPE-50086	TPE-52086					
108	96	TPE-50096	TPE-52096					
128	116	TPE-50116	TPE-52116					
136	136	TPE-50136	TPE-52136					
	156	TPE-50156	TPE-52156					
	176	TPE-50176	TPE-52176					
	196	TPE-50196	TPE-52196					
	216	TPE-50216	TPE-52216					
	236	TPE-50236	TPE-52236					
256	TPE-50256	TPE-52256						

**Tuleja prowadząca**

Leader pin bushing

**TXE**



**Pierścień "Z" należy zamawiać osobno.**  
"Z" ring – separate order.

**(\*) – Pozycje oznaczone gwiazdką dotyczą wykonania bez wprowadzenia d1e7.**  
Position with (\*) without d1e7 lead.

**Uwaga: Dostępne także z powłoką DLC.**  
W celu zamówienia skontaktuj się z nami.

Note: Available with DLC coating. Contact FCPK for details.

d	d1	d2	s	z	t	l	L	NR KAT.	NR KAT.	
10	14	16	3	Z14/14x1	5,5	12	12		TXE-10012 *	
					10,5	17	17		TXE-10017	
					15,5	22	22		TXE-10022	
					20,5	27	27		TXE-10027	
					29,5	36	36		TXE-10036	
					39,5	46	46		TXE-10046	
					49,5		56		TXE-10056	
					59,5		66		TXE-10066	
14/15	20	25	6	Z20/20x1,2		12	12	TXE-14012 *	TXE-15012 *	
						7	17	17	TXE-14017 *	TXE-15017 *
						12	22	22	TXE-14022	TXE-15022
						17	27	27	TXE-14027	TXE-15027
						26	36	36	TXE-14036	TXE-15036
						36	46	46	TXE-14046	TXE-15046
						46	56	56	TXE-14056	TXE-15056
						56		66	TXE-14066	TXE-15066
						66		76	TXE-14076	TXE-15076
						76		86	TXE-14086	TXE-15086
						86		96	TXE-14096	TXE-15096
18/20	26	31	6	Z26/26x1,2		7	17	17	TXE-18017 *	TXE-20017 *
						12	22	22	TXE-18022	TXE-20022
						17	27	27	TXE-18027	TXE-20027
						26	36	36	TXE-18036	TXE-20036
						36	46	46	TXE-18046	TXE-20046
						46	56	56	TXE-18056	TXE-20056
						56	66	66	TXE-18066	TXE-20066
						66	76	76	TXE-18076	TXE-20076
						76		86	TXE-18086	TXE-20086
						86		96	TXE-18096	TXE-20096
						106		116	TXE-18116	TXE-20116

## Tuleja prowadząca

Leader pin bushing

# TXE

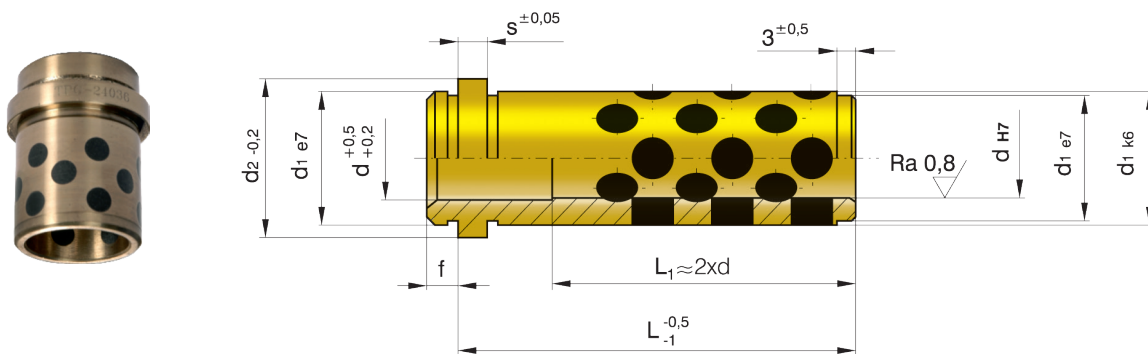
d	d1	d2	s	z	t	l	L	NR KAT.	NR KAT.	
22/24	30	35	6	Z30/30x1,5		17	17	TXE-22017	TXE-24017	
						11	22	22	TXE-22022	TXE-24022
						16	27	27	TXE-22027	TXE-24027
						25	36	36	TXE-22036	TXE-24036
						35	46	46	TXE-22046	TXE-24046
						45	56	56	TXE-22056	TXE-24056
						55	66	66	TXE-22066	TXE-24066
						65	76	76	TXE-22076	TXE-24076
						75	86	86	TXE-22086	TXE-24086
						85	96	96	TXE-22096	TXE-24096
						105		116	TXE-22116	TXE-24116
						125		136	TXE-22136	TXE-24136
						145		156	TXE-22156	TXE-24156
30/32	42	47	6	Z42/42x1,75		22	22	TXE-30022	TXE-32022	
						14	27	27	TXE-30027	TXE-32027
						23	36	36	TXE-30036	TXE-32036
						33	46	46	TXE-30046	TXE-32046
						43	56	56	TXE-30056	TXE-32056
						53	66	66	TXE-30066	TXE-32066
						63	76	76	TXE-30076	TXE-32076
						73	86	86	TXE-30086	TXE-32086
						83	96	96	TXE-30096	TXE-32096
						103	116	116	TXE-30116	TXE-32116
						123		136	TXE-30136	TXE-32136
						143		156	TXE-30156	TXE-32156
						163		176	TXE-30176	TXE-32176
40/42	54	60	10	Z54/55x2		18	36	36	TXE-40036	TXE-42036
						28	46	46	TXE-40046	TXE-42046
						38	56	56	TXE-40056	TXE-42056
						48	66	66	TXE-40066	TXE-42066
						58	76	76	TXE-40076	TXE-42076
						68	86	86	TXE-40086	TXE-42086
						78	96	96	TXE-40096	TXE-42096
						98	116	116	TXE-40116	TXE-42116
						118	136	136	TXE-40136	TXE-42136
						138		156	TXE-40156	TXE-42156
						158		176	TXE-40176	TXE-42176
						178		196	TXE-40196	TXE-42196
					50/52	66	71	10	Z66/65x2,5	
	48	66	66	TXE-50066						TXE-52066
	58	76	76	TXE-50076						TXE-52076
	68	86	86	TXE-50086						TXE-52086
	78	96	96	TXE-50096						TXE-52096
	98	116	116	TXE-50116						TXE-52116
	118	136	136	TXE-50136						TXE-52136
	138		156	TXE-50156						TXE-52156
	158		176	TXE-50176						TXE-52176
	178		196	TXE-50196						TXE-52196
	198		216	TXE-50216						TXE-52216
	218		236	TXE-50236						TXE-52236
	228		246	TXE-50246						TXE-52246
	238		256	TXE-50256						TXE-52256



**Tuleja prowadząca samosmarująca**

Self-lubricating guide bushing

**TPG**



**Mat: Brąz aluminiowy + grafit.**  
Aluminium bronze + graphite.

d	d1	d2	s	f	L	NR KAT.	NR KAT.
9/10	14	16	3	5	12	TPG-09012	TPG-10012
					17	TPG-09017	TPG-10017
					22	TPG-09022	TPG-10022
					27	TPG-09027	TPG-10027
					36	TPG-09036	TPG-10036
					46	TPG-09046	TPG-10046
					56	TPG-09056	TPG-10056
14/15	20	25	6	6	17	TPG-14017	TPG-15017
					22	TPG-14022	TPG-15022
					27	TPG-14027	TPG-15027
					36	TPG-14036	TPG-15036
					46	TPG-14046	TPG-15046
					56	TPG-14056	TPG-15056
					66	TPG-14066	TPG-15066
					76	TPG-14076	TPG-15076
18/20	26	31	6	8	86	TPG-14086	TPG-15086
					17	TPG-18017	TPG-20017
					22	TPG-18022	TPG-20022
					27	TPG-18027	TPG-20027
					36	TPG-18036	TPG-20036
					46	TPG-18046	TPG-20046
					56	TPG-18056	TPG-20056
					66	TPG-18066	TPG-20066
					76	TPG-18076	TPG-20076
86	TPG-18086	TPG-20086					
					96	TPG-18096	TPG-20096

## Tuleja prowadząca samosmarująca

Self-lubricating guide bushing

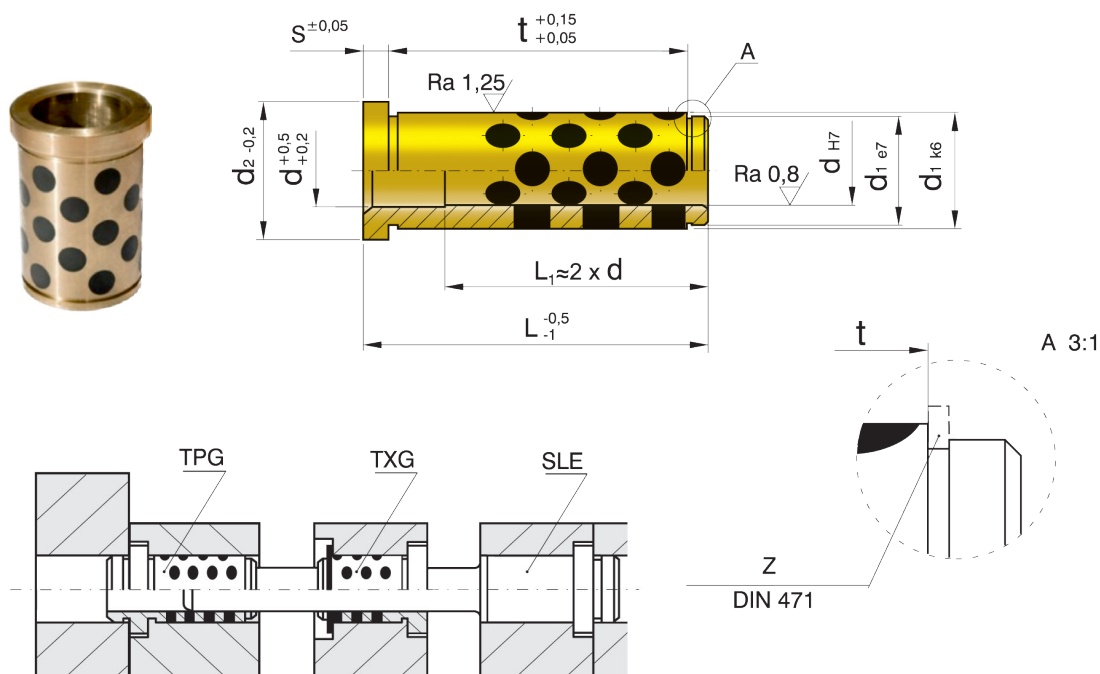
# TPG

d	d1	d2	s	f	L	NR KAT.	NR KAT.
22/24	30	35	6	8	22	TPG-22022	TPG-24022
					27	TPG-22027	TPG-24027
					36	TPG-22036	TPG-24036
					46	TPG-22046	TPG-24046
					56	TPG-22056	TPG-24056
					66	TPG-22066	TPG-24066
					76	TPG-22076	TPG-24076
					86	TPG-22086	TPG-24086
					96	TPG-22096	TPG-24096
					116	TPG-22116	TPG-24116
30/32	42	47	6	8	136	TPG-22136	TPG-24136
					27	TPG-30027	TPG-32027
					36	TPG-30036	TPG-32036
					46	TPG-30046	TPG-32046
					56	TPG-30056	TPG-32056
					66	TPG-30066	TPG-32066
					76	TPG-30076	TPG-32076
					86	TPG-30086	TPG-32086
					96	TPG-30096	TPG-32096
					116	TPG-30116	TPG-32116
40/42	54	60	10	10	136	TPG-30136	TPG-32136
					46	TPG-40046	TPG-42046
					56	TPG-40056	TPG-42056
					66	TPG-40066	TPG-42066
					76	TPG-40076	TPG-42076
					86	TPG-40086	TPG-42086
					96	TPG-40096	TPG-42096
					116	TPG-40116	TPG-42116
					136	TPG-40136	TPG-42136
					156	TPG-40156	TPG-42156
196	TPG-40196	TPG-42196					

**Tuleja prowadząca samosmarująca**

Self-lubricating guide bushing

**TXG**



**Pierścień "Z" należy zamawiać osobno.**  
Ring "Z" must be ordered separately.

**Mat: Brąz aluminiowy + grafit**  
Aluminium bronze + graphite

d	d1	d2	s	Z	t	L	NR KAT.	NR KAT.
9/10	14	16	3	Z14/14x1	5,5	12	TXG-09012	TXG-10012
					10,5	17	TXG-09017	TXG-10017
					15,5	22	TXG-09022	TXG-10022
					20,5	27	TXG-09027	TXG-10027
					29,5	36	TXG-09036	TXG-10036
					39,5	46	TXG-09046	TXG-10046
					49,5	56	TXG-09056	TXG-10056
12	18	23	6	Z18/18x1,2	7	17	TXG-12017	
					12	22	TXG-12022	
					17	27	TXG-12027	
					26	36	TXG-12036	
					36	46	TXG-12046	
					46	56	TXG-12056	
14/15	20	25	6	Z20/20x1,2	7	17	TXG-14017	TXG-15017
					12	22	TXG-14022	TXG-15022
					17	27	TXG-14027	TXG-15027
					26	36	TXG-14036	TXG-15036
					36	46	TXG-14046	TXG-15046
					46	56	TXG-14056	TXG-15056
16	22	27	6	Z22/22x1,2	12	22	TXG-16022	
					17	27	TXG-16027	
					26	36	TXG-16036	
					36	46	TXG-16046	
					46	56	TXG-16056	

## Tuleja prowadząca samosmarująca

Self-lubricating guide bushing

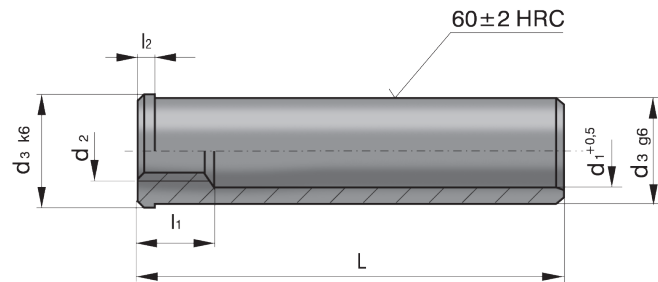
# TXG

d	d1	d2	s	Z	t	L	NR KAT.	NR KAT.
18/20	26	31	6	Z26/26x1,2	7	17	TXG-18017	TXG-20017
					12	22	TXG-18022	TXG-20022
					17	27	TXG-18027	TXG-20027
					26	36	TXG-18036	TXG-20036
					36	46	TXG-18046	TXG-20046
					46	56	TXG-18056	TXG-20056
					56	66	TXG-18066	TXG-20066
					66	76	TXG-18076	TXG-20076
22/24	30	35	6	Z30/30x1,5	11	22	TXG-22022	TXG-24022
					16	27	TXG-22027	TXG-24027
					25	36	TXG-22036	TXG-24036
					35	46	TXG-22046	TXG-24046
					45	56	TXG-22056	TXG-24056
					55	66	TXG-22066	TXG-24066
					65	76	TXG-22076	TXG-24076
					75	86	TXG-22086	TXG-24086
30/32	42	47	6	Z42/42x1,75	85	96	TXG-22096	TXG-24096
					14	27	TXG-30027	TXG-32027
					23	36	TXG-30036	TXG-32036
					33	46	TXG-30046	TXG-32046
					43	56	TXG-30056	TXG-32056
					53	66	TXG-30066	TXG-32066
					63	76	TXG-30076	TXG-32076
					73	86	TXG-30086	TXG-32086
					83	96	TXG-30096	TXG-32096
40/42	54	60	10	Z54/55x2,0	103	116	TXG-30116	TXG-32116
					28	46	TXG-40046	TXG-42046
					38	56	TXG-40056	TXG-42056
					48	66	TXG-40066	TXG-42066
					58	76	TXG-40076	TXG-42076
					68	86	TXG-40086	TXG-42086
					78	96	TXG-40096	TXG-42096
					98	116	TXG-40116	TXG-42116
					118	136	TXG-40136	TXG-42136

**Tuleja ustalająca**

Locating sleeve

**TUE**



<b>l1</b>	<b>l2</b>	<b>d1</b>	<b>d2</b>	<b>d3</b>	<b>L</b>	<b>NR KAT.</b>
8	2	11	M8	14	20	TUE-14020
					30	TUE-14030
					40	TUE-14040
					50	TUE-14050
					60	TUE-14060
					70	TUE-14070
					80	TUE-14080
					100	TUE-14100
13	2	16	M12	20	30	TUE-20030
					40	TUE-20040
					60	TUE-20060
					80	TUE-20080
					100	TUE-20100
					120	TUE-20120
					140	TUE-20140
					160	TUE-20160
13	2,5	21	M12	26	30	TUE-26030
					40	TUE-26040
					60	TUE-26060
					80	TUE-26080
					100	TUE-26100
					120	TUE-26120
					140	TUE-26140
					160	TUE-26160
					180	TUE-26180
					13	2,5
60	TUE-30060					
80	TUE-30080					
100	TUE-30100					
120	TUE-30120					
140	TUE-30140					
160	TUE-30160					
180	TUE-30180					
200	TUE-30200					
240	TUE-30240					

## Tuleja ustalająca

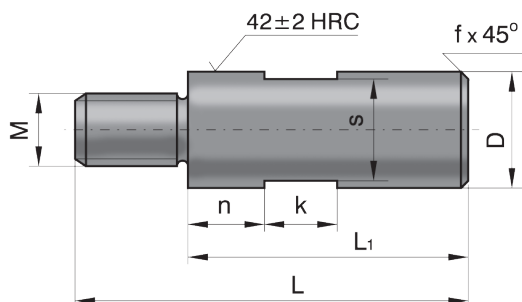
Locating sleeve

# TUE

l1	l2	d1	d2	d3	L	NR KAT.
13	4,5	33	M12	42	40	TUE-42040
					60	TUE-42060
					80	TUE-42080
					100	TUE-42100
					120	TUE-42120
					140	TUE-42140
					160	TUE-42160
					180	TUE-42180
					200	TUE-42200
					220	TUE-42220
					260	TUE-42260
					300	TUE-42300
13	4,5	43	M12	54	60	TUE-54060
					80	TUE-54080
					120	TUE-54120
					160	TUE-54160
					200	TUE-54200
					240	TUE-54240
					280	TUE-54280
26	4,5	54	M12	66	80	TUE-66080
					120	TUE-66120
					160	TUE-66160
					180	TUE-66180
					200	TUE-66200
					220	TUE-66220
					240	TUE-66240
					260	TUE-66260
					280	TUE-66280
					300	TUE-66300
					320	TUE-66320
					340	TUE-66340
					360	TUE-66360
380	TUE-66380					

**Nóżka**  
Support bolt

**NF**

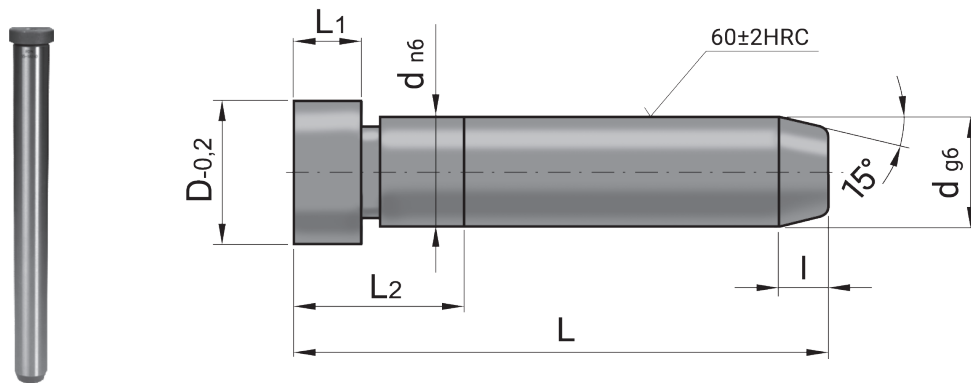


M	D	k	f	s	L	L1	n	NR KAT.
10	16	12	1	13	56	40	5	NF-10056
					96	80	15	NF-10096
12	20	12	1,6	17	70	50	5	NF-12070
					120	100	15	NF-12120
16	25	16	1,6	22	88	63	15	NF-16088
20	32	16	2,5	27	112	80	15	NF-20112

**Słup skośny**

Angle pin

**SS**



I	D	L1	L2	d	L	NR KAT.	
4	12	3	12	9	40	SS-09040	
					60	SS-09060	
					80	SS-09080	
					100	SS-09100	
					120	SS-09120	
				10	40	SS-10040	
					60	SS-10060	
					80	SS-10080	
					100	SS-10100	
					120	SS-10120	
7	16	6	17	12	40	SS-12040	
					60	SS-12060	
					80	SS-12080	
					100	SS-12100	
					120	SS-12120	
				14	60	SS-14060	
					80	SS-14080	
					100	SS-14100	
					120	SS-14120	
					140	SS-14140	
	18	8	22	15	160	SS-15160	
					180	SS-15180	
					60	SS-15060	
					80	SS-15080	
					100	SS-15100	
		20	16	22	16	120	SS-16120
						140	SS-16140
						160	SS-16160
						180	SS-16180
						200	SS-16200



## Słup skośny

Angle pin

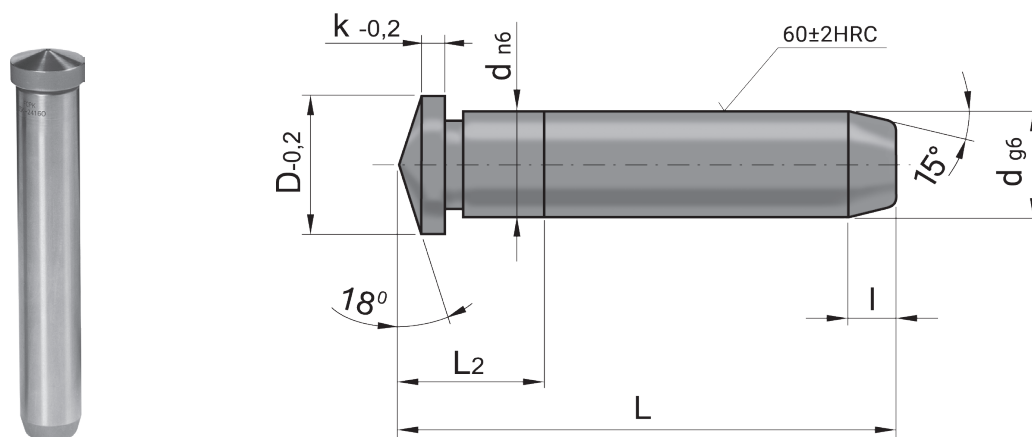
# SS

I	D	L1	L2	d	L	NR KAT.	
7	22	8	22	18	60	SS-18060	
					80	SS-18080	
					100	SS-18100	
					120	SS-18120	
					140	SS-18140	
					160	SS-18160	
					180	SS-18180	
					200	SS-18200	
	24	20	8	22	20	240	SS-18240
						60	SS-20060
						80	SS-20080
						100	SS-20100
						120	SS-20120
						140	SS-20140
						160	SS-20160
						180	SS-20180
	26	22	15	27	22	200	SS-20200
						240	SS-20240
						80	SS-22080
						100	SS-22100
						120	SS-22120
						140	SS-22140
						160	SS-22160
						180	SS-22180
	28	24	15	27	24	200	SS-22200
						220	SS-22220
						240	SS-22240
						300	SS-22300
						80	SS-24080
						100	SS-24100
						120	SS-24120
						140	SS-24140
	36	30	15	36	30	160	SS-24160
						180	SS-24180
						200	SS-24200
						220	SS-24220
240						SS-24240	
300						SS-24300	
100						SS-30100	
120						SS-30120	
36	32	15	36	32	160	SS-30160	
					200	SS-30200	
					240	SS-30240	
					300	SS-30300	
					360	SS-30360	
					100	SS-32100	
					120	SS-32120	
					160	SS-32160	
10	48	15	46	40	200	SS-32200	
					240	SS-32240	
					300	SS-32300	
					360	SS-32360	
					160	SS-40160	
					200	SS-40200	
15	58	15	46	50	240	SS-40240	
					300	SS-40300	
					360	SS-40360	
					160	SS-50160	
					200	SS-50200	
					240	SS-50240	
					300	SS-50300	
					360	SS-50360	

**Słup skośny z łbem stożkowym**

Angle pin with tapered head

**SSK**



I	D	k	L <sub>2</sub>	d	L	NR KAT.
4	12	1,0	12	10	40	SSK-10040
					60	SSK-10060
					80	SSK-10080
					100	SSK-10100
					120	SSK-10120
7	16	3,4	17	12	60	SSK-12060
					80	SSK-12080
					100	SSK-12100
					120	SSK-12120
					140	SSK-12140
	18	5,1	22	14	160	SSK-12160
					60	SSK-14060
					80	SSK-14080
					100	SSK-14100
					120	SSK-14120
					140	SSK-14140
	20	4,8	18	16	160	SSK-14160
					180	SSK-14180
					60	SSK-16060
					80	SSK-16080
					100	SSK-16100
22	4,4	18	18	120	SSK-16120	
				140	SSK-16140	
				160	SSK-16160	
				180	SSK-16180	
				200	SSK-16200	
				60	SSK-18060	
				80	SSK-18080	
				100	SSK-18100	
120	SSK-18120					
140	SSK-18140					
160	SSK-18160					
180	SSK-18180					
200	SSK-18200					
240	SSK-18240					

## Słup skośny z łbem stożkowym

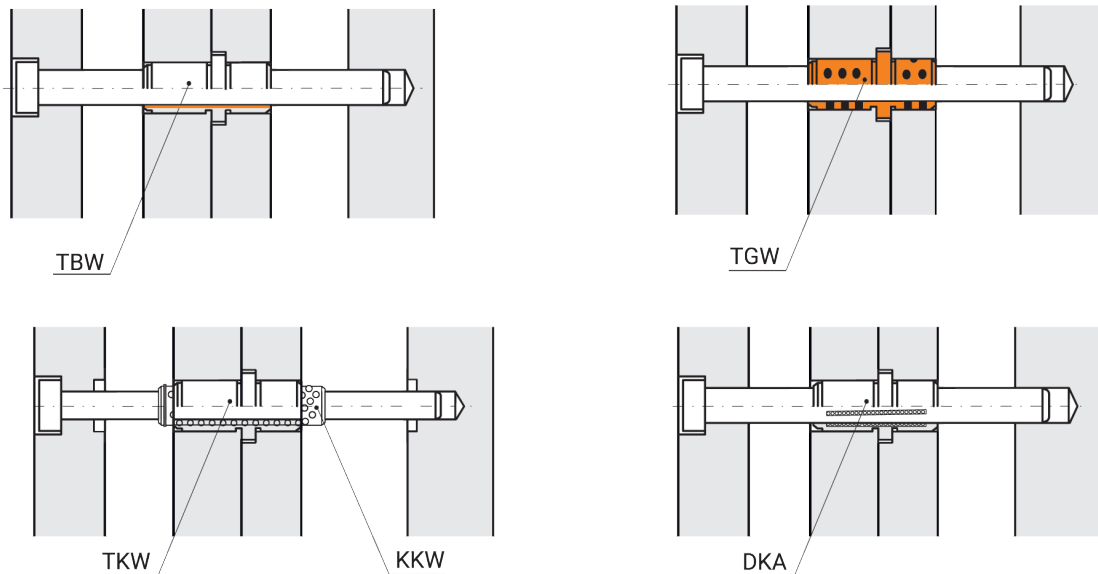
Angle pin with tapered head

# SSK

I	D	k	L2	d	L	NR KAT.				
7	24	4,1	22	20	80	SSK-20080				
					100	SSK-20100				
					120	SSK-20120				
					140	SSK-20140				
					160	SSK-20160				
					180	SSK-20180				
					200	SSK-20200				
					240	SSK-20240				
	26	10,8	27	22	80	SSK-22080				
					100	SSK-22100				
					120	SSK-22120				
					140	SSK-22140				
					160	SSK-22160				
					180	SSK-22180				
					200	SSK-22200				
					220	SSK-22220				
					240	SSK-22240				
					300	SSK-22300				
					28	10,5	27	24	80	SSK-24080
									100	SSK-24100
	120	SSK-24120								
	140	SSK-24140								
	160	SSK-24160								
	180	SSK-24180								
	200	SSK-24200								
	220	SSK-24220								
	240	SSK-24240								
	300	SSK-24300								
	36	9,2	36	30	100	SSK-30100				
					120	SSK-30120				
					160	SSK-30160				
					200	SSK-30200				
					240	SSK-30240				
					300	SSK-30300				
					360	SSK-30360				

## Prowadzenie płyty wypychaczy

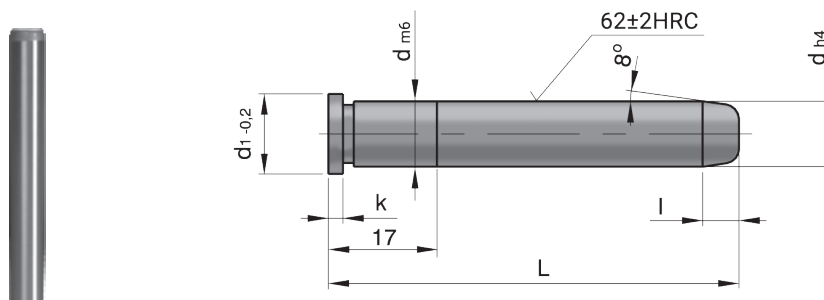
Ejection system



## Słup prowadzący płyty wypychaczy

Ejector plate leader pin

**SPW**



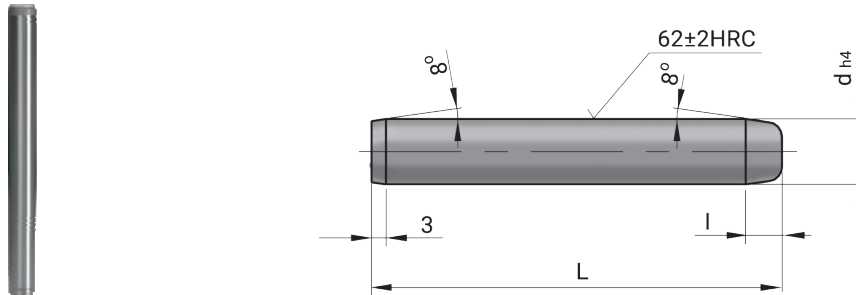
d	d1	l	k	NR KAT.						
				L=80	L=100	L=120	L=140	L=160	L=200	L=240
12	16	4	4	SPW-12080	SPW-12100	SPW-12120				
18	22	7	6			SPW-18120	SPW-18140	SPW-18160		
24	27	7	6				SPW-24140	SPW-24160	SPW-24200	
30	36	7	6					SPW-30160	SPW-30200	SPW-30240

Zastrzegamy sobie prawo do zmian bez uprzedzenia. Zawsze sprawdzaj aktualność katalogu na stronie [www.proplastica.pl](http://www.proplastica.pl)  
We reserve the right to amend this catalogue without notice. Always check [www.proplastica.pl](http://www.proplastica.pl) for latest updates.

## Słup prowadzący płyty wypychaczy

Ejector plate leader pin

# KPE

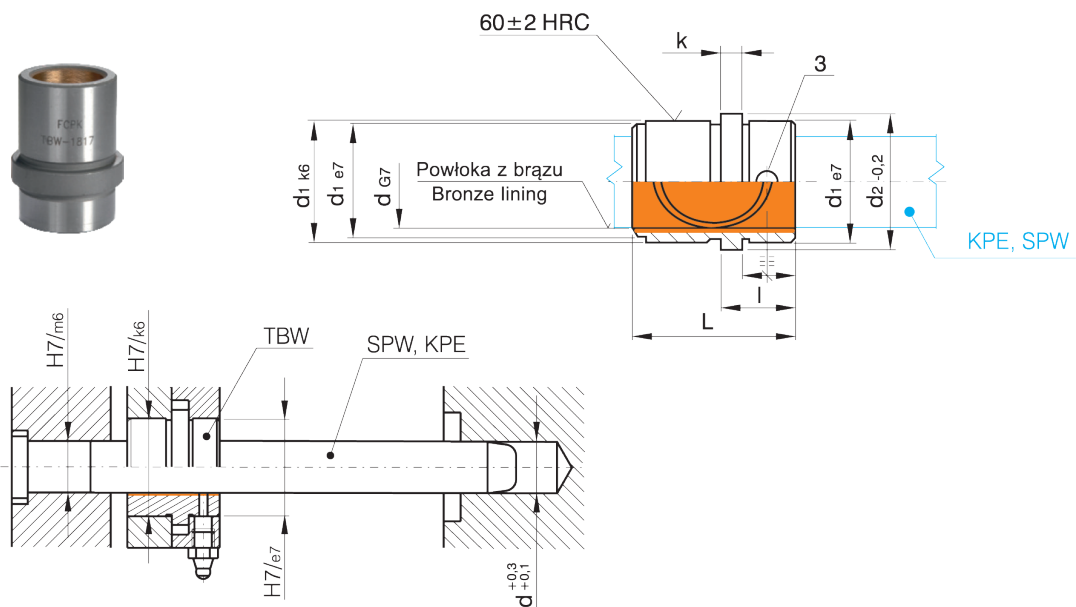


d	l	NR KAT.			
		L=100	L=125	L=160	L=240
12	6	KPE-12100	KPE-12125		
18	7		KPE-18125	KPE-18160	
30	7			KPE-30160	KPE-30240

## Tuleja prowadząca płyty wypychaczy

Ejector plate guide bushing

# TBW



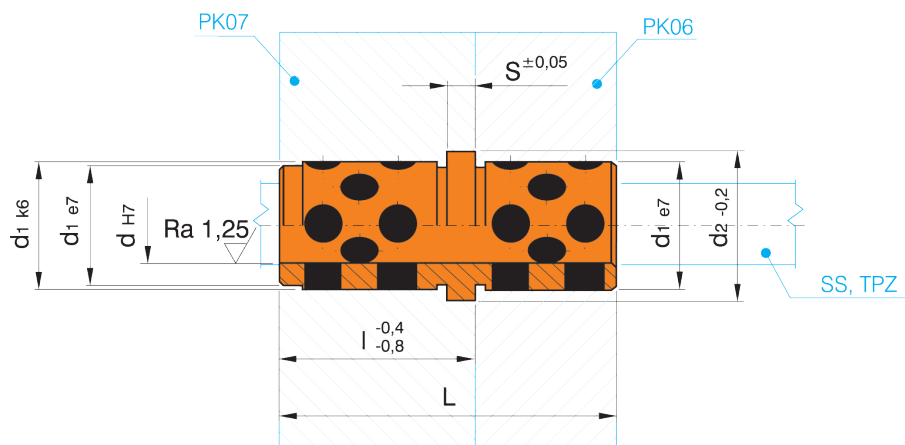
d	d1	d2	K	NR KAT.				
				l=9 L=21	l=12 L=29	l=17 L=39	l=22 L=49	l=27 L=63
12	16	19	3	TBW-1209*	TBW-1212*			
18	26	30	6		TBW-1812	TBW-1817	TBW-1822	
30	42	46	6			TBW-3017	TBW-3022	TBW-3027

\* cała z brązu aluminiowego / \* All aluminium bronze

## Tuleja prowadząca płyty wypychaczy – samosmarująca

Self-lubricating ejector plate guide bushing

**TGW**



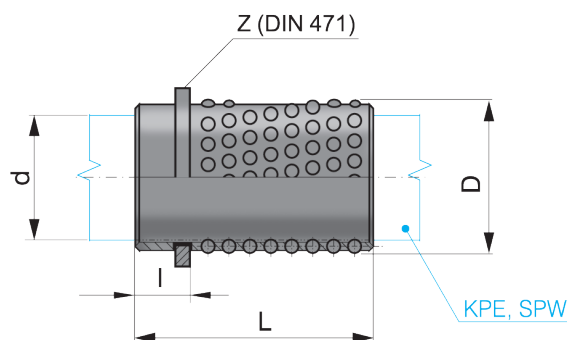
**Mat: Brąz aluminiowy + grafit**  
Aluminium bronze + graphite

d	d1	d2	s	l	L	NR KAT.	NR KAT.
14/15	20	25	6	17	26	TGW-14017	TGW-15017
18/20	26	31		22	39	TGW-18022	TGW-20022
22/24	30	35		27	49	TGW-22027	TGW-24027
30/32	42	47		36	63	TGW-30036	TGW-32036

## Koszyk kulkowy

Ball bearing cage

**KKW**



**Mat: Koszyk – aluminium**  
**Kulki – stal hartowana**  
Ball cage – aluminium  
Balls – hardened steel

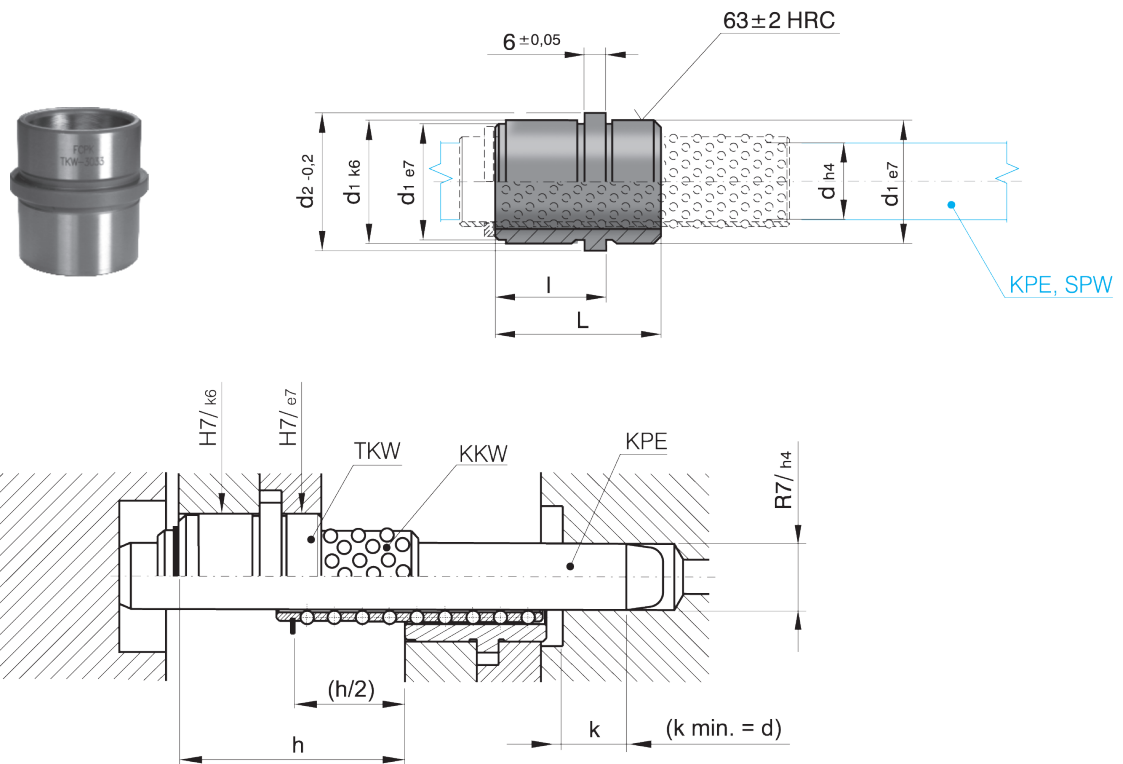
d	D	l	Z	NR KAT.					
				L=40	L=45	L=56	L=71	L=75	L=95
12	17	2,1	Z16	KKW-1240		KKW-1256			
18	24	3,0	Z22		KKW-1845	KKW-1856	KKW-1871		
30	38	4,8	Z36			KKW-3056		KKW-3075	KKW-3095

Zastrzegamy sobie prawo do zmian bez uprzedzenia. Zawsze sprawdzaj aktualność katalogu na stronie [www.proplastica.pl](http://www.proplastica.pl)  
We reserve the right to amend this catalogue without notice. Always check [www.proplastica.pl](http://www.proplastica.pl) for latest updates.

**Tuleja prowadząca płyty wypychaczy - do prowadzenia kulowego**

**TKW**

Ejector plate guide bushing – for ball bearing

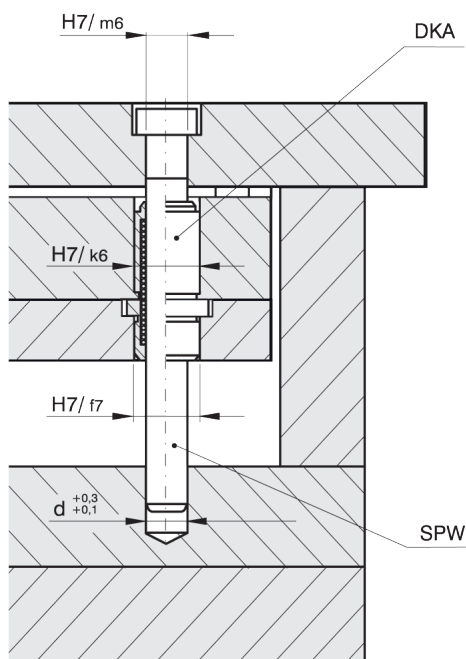
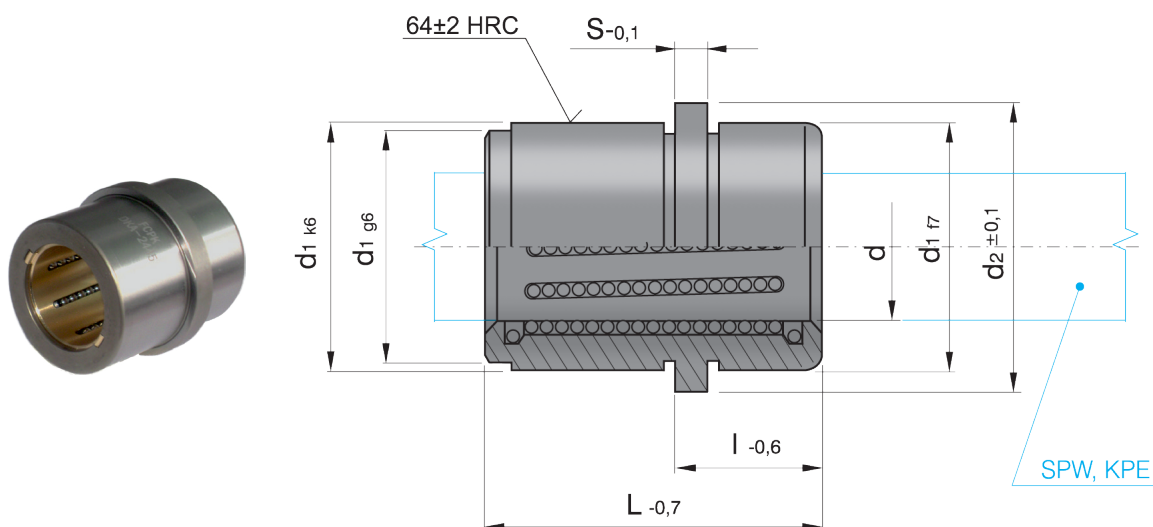


dNOM	d1	d1	L	NR KAT.		
				l=18	l=23	l=33
12	22	26	24	TKW-1218		
18	30	35	34		TKW-1823	
30	46	52	54			TKW-3033

**Tuleja z rotacyjnym systemem kulkowym**

Recirculating ball bushing

**DKA**



Mat: Tulejka – stal  
 Koszyk – mosiądz  
 Kulki – stal hartowana  
 Bushing – steel  
 Cage – brass  
 Balls – hardened steel

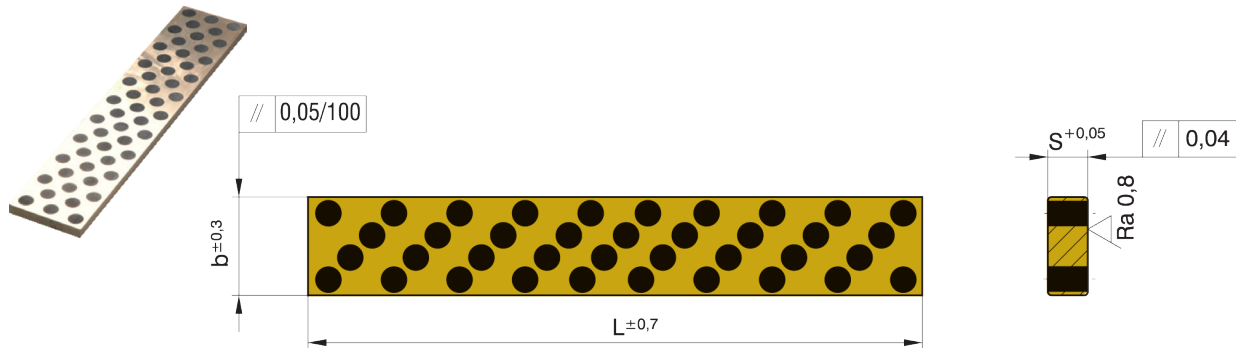
d	d1	d2	s	l	L	NR KAT.
12	22	26	6	12	26	DKA-1226
18	30	35	6	17	35	DKA-1835
24	38	43	6	22	45	DKA-2445
30	46	52	6	27	55	DKA-3055



**Płytki samosmarująca**

Wear plate self-lubricating

**PFA**



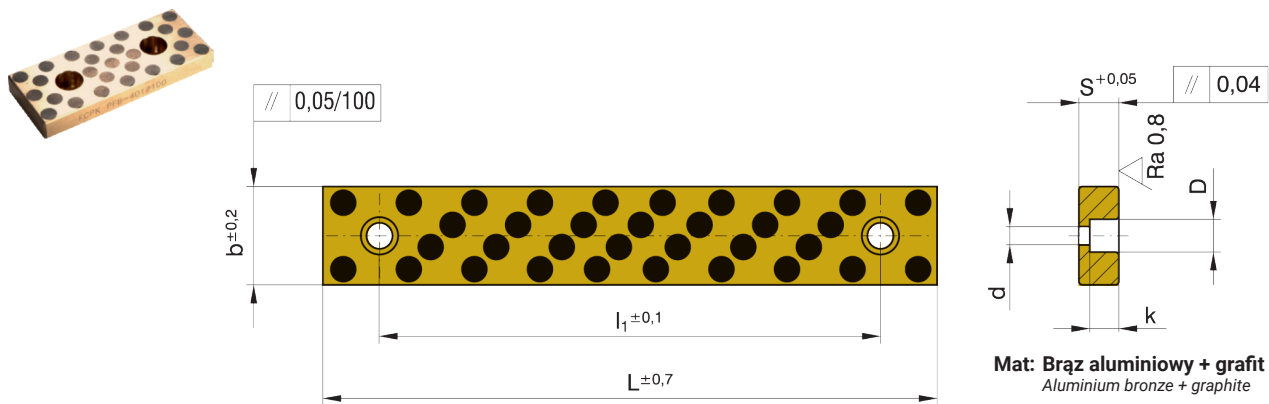
**Mat: Brąz aluminiowy + grafit**  
Aluminium bronze + graphite

b	s	L	NR KAT.
30	8	500	PFA-3008500
50	10	500	PFA-5010500
80	12	500	PFA-8012500

**Płytki samosmarująca**

Wear plate self-lubricating

**PFB**



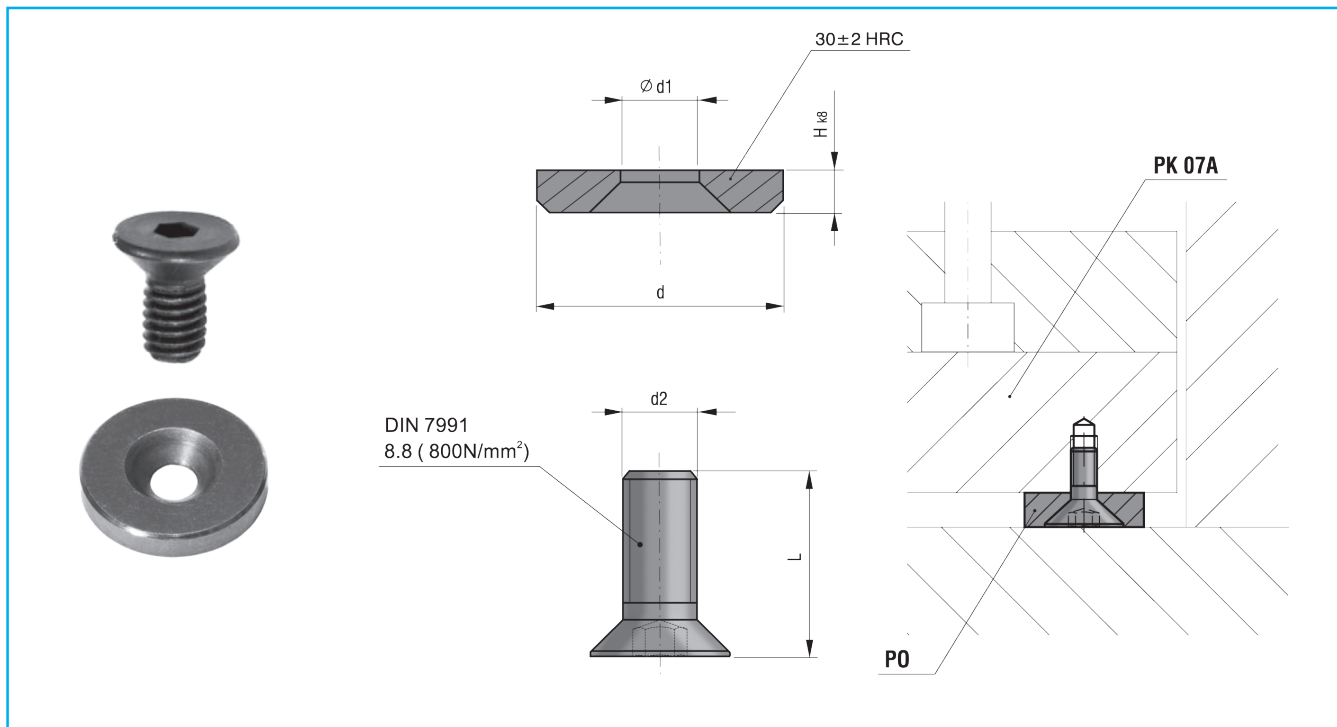
**Mat: Brąz aluminiowy + grafit**  
Aluminium bronze + graphite

s	b	k	d	D	L				
					50	75	100	150	
					l <sub>1</sub>				
					30	45	50	100	
					NR KAT.				
8	20	5.7	5.5	9.5	PFB-2008050	PFB-2008075			
10	20	6.8	6.6	11		PFB-2010075	PFB-2010100		
	30					PFB-3010075	PFB-3010100		
12	40	9	9	14		PFB-4012075	PFB-4012100	PFB-4012150	
	50					PFB-5012075	PFB-5012100	PFB-5012150	

**Podkładka oporowa**

Support washer

**PO**

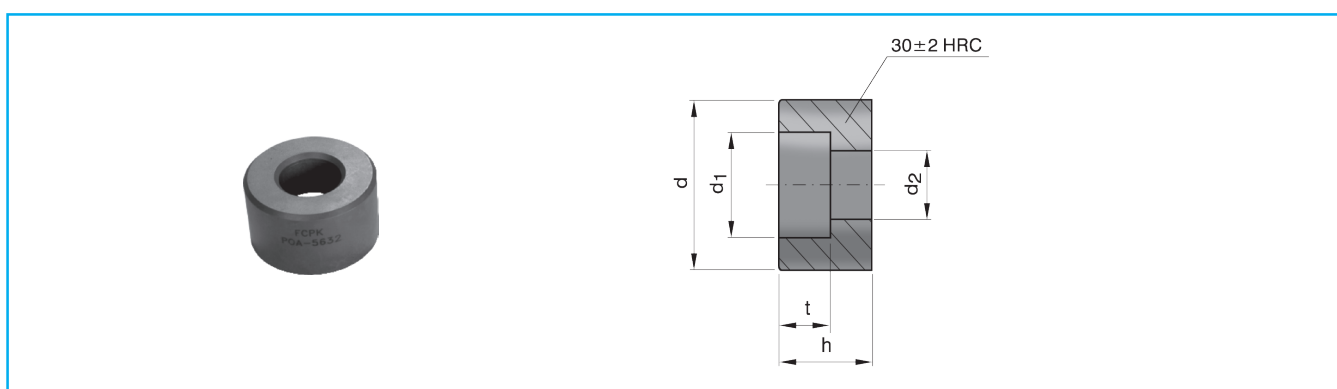


NR KAT.	d	d1	H	d2	L	DIN7991
PO-1803	18	4,3	3	M4	8	M4x8
PO-2803	28					
PO-2004	20	5,3	4	M5	10	M5x10
PO-3004	30					

**Podkładka oporowa**

Support washer

**POA**

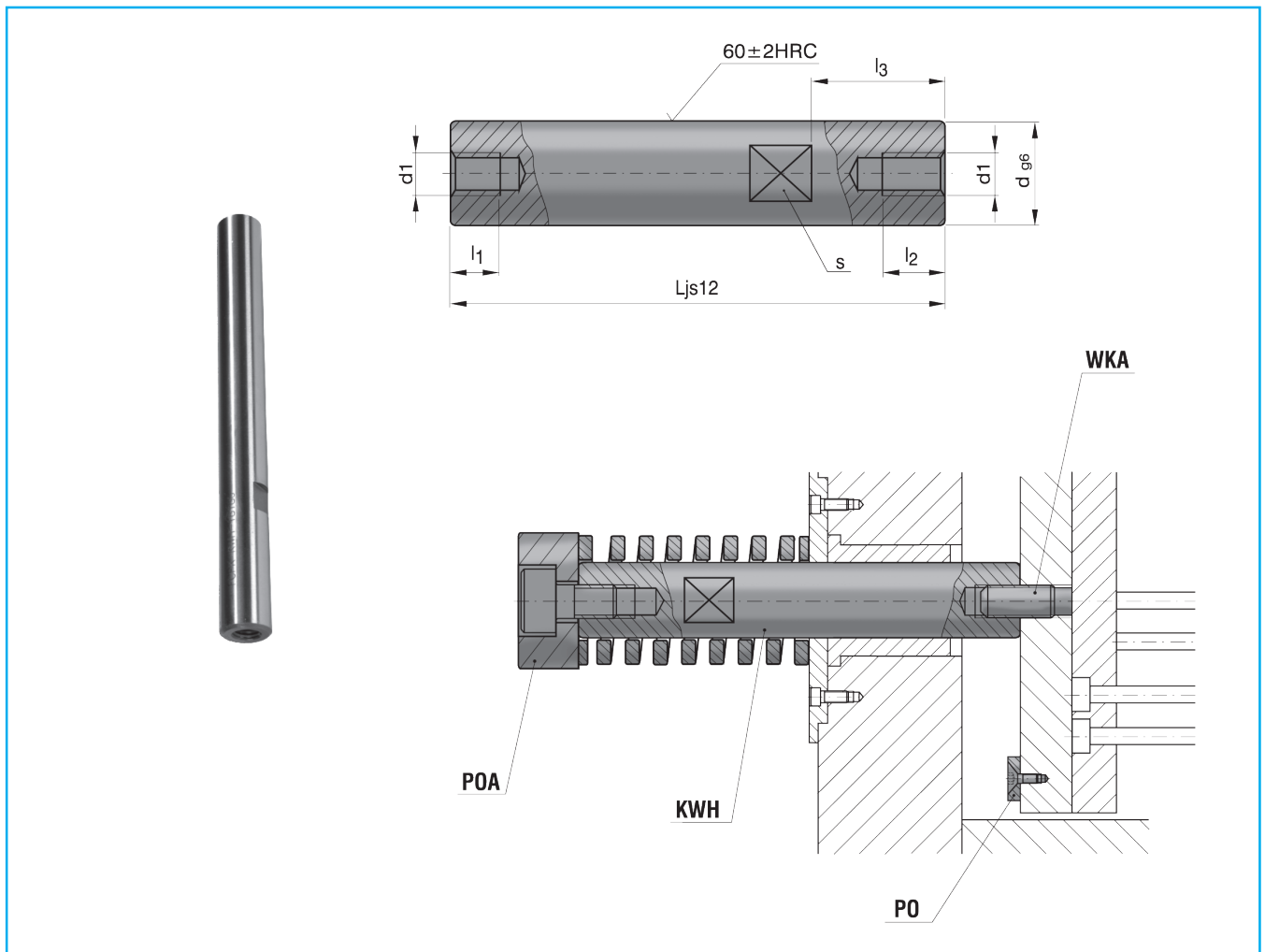


d	d1	d2	t	h	NR KAT.
15	11	6,6	8,4	10	POA-1510
22	14,5	9	11	14	POA-2214
36	17,5	11	13,5	20	POA-3620
46	20	14	15,5	25	POA-4625
56	26	18	21	32	POA-5632

**Sworzeń płyty wypychaczy**

Ejector rod

**KWH**



d	d1	s	l1	l2	l3	L	NR KAT.
10	M6	9	9	16	20	60	KWH-10060
						70	KWH-10070
						80	KWH-10080
						100	KWH-10100
						120	KWH-10120
						140	KWH-10140
14	M8	12	11	16	25	60	KWH-14060
						70	KWH-14070
						80	KWH-14080
						100	KWH-14100
						120	KWH-14120
						140	KWH-14140
18	M10	14	12	20	45	160	KWH-14160
						180	KWH-14180
						100	KWH-18100
						120	KWH-18120
						140	KWH-18140
						160	KWH-18160
						180	KWH-18180
						200	KWH-18200
220	KWH-18220						
						240	KWH-18240

## Sworzeń płyty wypychaczy

Ejector rod

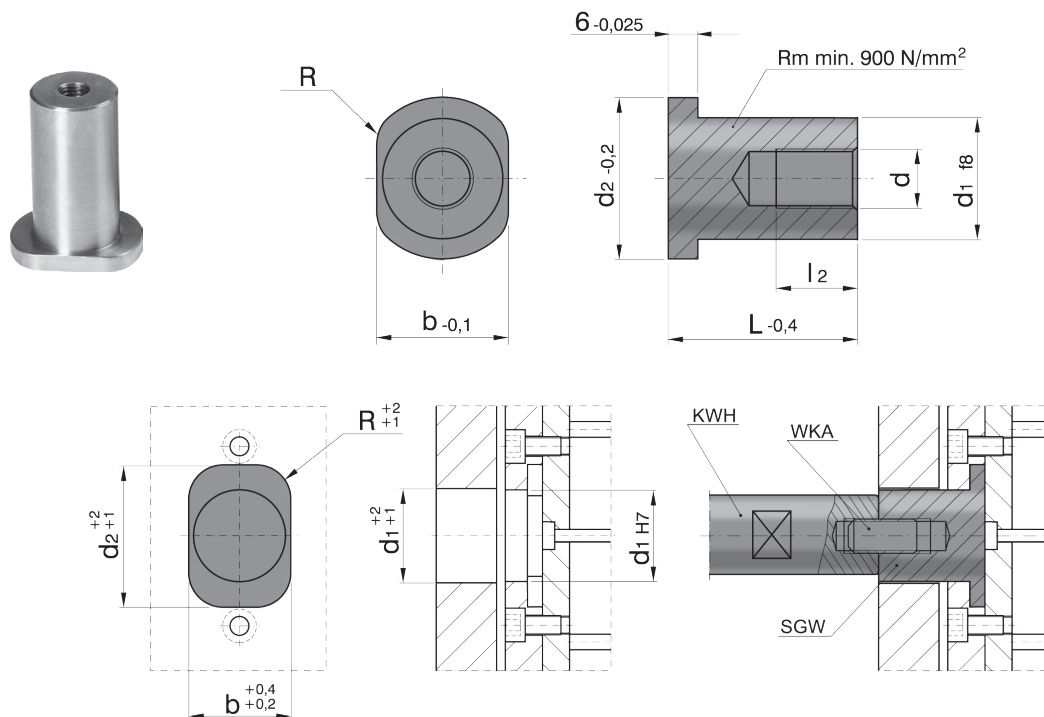
# KWH

d	d1	s	l1	l2	l3	L	NR KAT.
20	M12	16	14	25	45	100	KWH-20100
						120	KWH-20120
						140	KWH-20140
						160	KWH-20160
						180	KWH-20180
						200	KWH-20200
						220	KWH-20220
24	M12	19	14	25	50	240	KWH-20240
						120	KWH-24120
						140	KWH-24140
						160	KWH-24160
						180	KWH-24180
30	M16	24	16	30	56	200	KWH-24200
						240	KWH-24240
						180	KWH-30180
						220	KWH-30220
						260	KWH-30260
						300	KWH-30300

**Sworzeń płyty wypychaczy**

Threaded insert for ejector plate

**SGW**

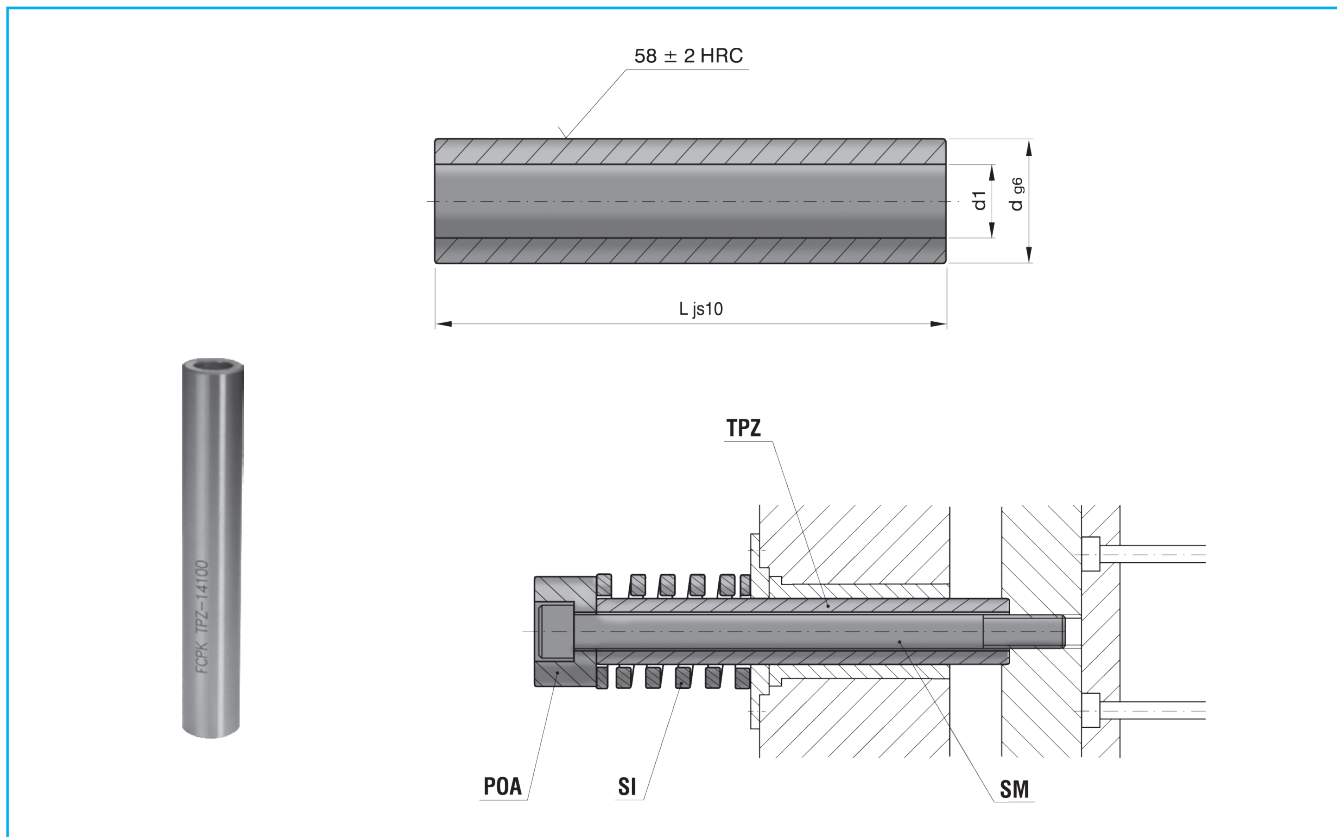


b	R	d2	d1	l2	d	L	NR KAT.										
24	8	36	20	12	M6	37	SGW-0637										
						42	SGW-0642										
				16	M8	37	SGW-0837										
						42	SGW-0842										
						47	SGW-0847										
34	11	46	30	20	M10	52	SGW-0852										
						47	SGW-1047										
						52	SGW-1052										
						56	SGW-1056										
				24	11	46	30	24	M12	61	SGW-1061						
										56	SGW-1256						
										61	SGW-1261						
										66	SGW-1266						
										71	SGW-1271						
										75	SGW-1275						
										32	11	46	30	32	M16	61	SGW-1661
																66	SGW-1666
71	SGW-1671																
75	SGW-1675																
85	SGW-1685																
46	11	56	40	40	M20	95	SGW-1695										
						61	SGW-2061										
						66	SGW-2066										
						71	SGW-2071										
						75	SGW-2075										
46	11	56	40	40	M20	85	SGW-2085										
						85	SGW-2085										
						95	SGW-2095										

**Tuleja prowadząca**

Tube dowel

**TPZ**



d	d1	L	NR KAT.
10	6,2	20	TPZ-10020
		30	TPZ-10030
		40	TPZ-10040
		50	TPZ-10050
		60	TPZ-10060
		70	TPZ-10070
		80	TPZ-10080
		100	TPZ-10100
		120	TPZ-10120
		140	TPZ-10140
14	8,3	30	TPZ-14030
		40	TPZ-14040
		50	TPZ-14050
		60	TPZ-14060
		70	TPZ-14070
		80	TPZ-14080
		100	TPZ-14100
		120	TPZ-14120
		140	TPZ-14140
		160	TPZ-14160
		180	TPZ-14180

## Tuleja prowadząca

Tube dowel

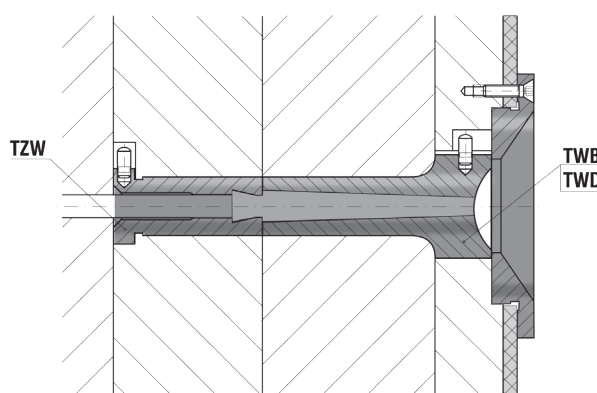
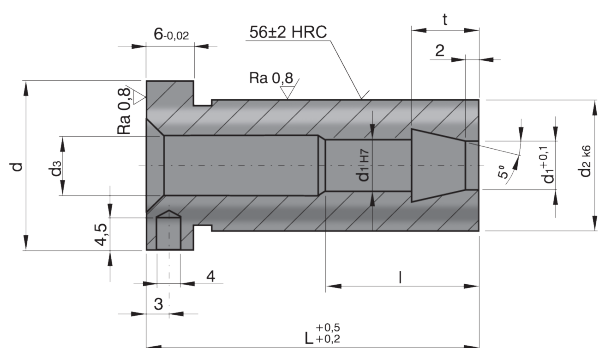
# TPZ

d	d1	L	NR KAT.
18	10,4	40	TPZ-18040
		60	TPZ-18060
		80	TPZ-18080
		100	TPZ-18100
		120	TPZ-18120
		140	TPZ-18140
		160	TPZ-18160
		180	TPZ-18180
		200	TPZ-18200
		220	TPZ-18220
		240	TPZ-18240
24	12,5	60	TPZ-24060
		80	TPZ-24080
		100	TPZ-24100
		120	TPZ-24120
		140	TPZ-24140
		160	TPZ-24160
		180	TPZ-24180
		200	TPZ-24200
240	TPZ-24240		
30	16,5	80	TPZ-30080
		100	TPZ-30100
		120	TPZ-30120
		140	TPZ-30140
		160	TPZ-30160
		180	TPZ-30180
		220	TPZ-30220
		260	TPZ-30260
300	TPZ-30300		

**Tulejowy zbierak wlewka**

Sprue pullers bushing

**TZW**



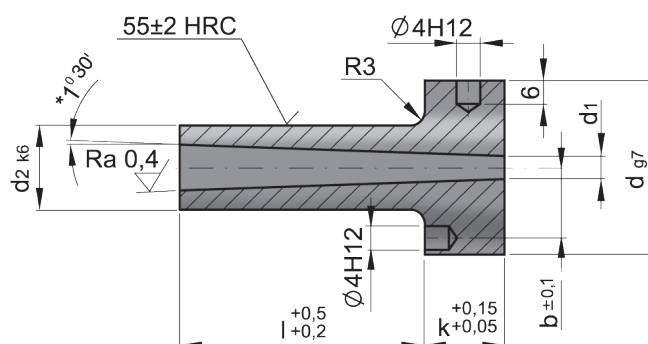
d2	d3	d	d1	t	l	L	NR KAT.	
12	4,5	16	4	7	18	22	TZW-1222	
						27	TZW-1227	
						36	TZW-1236	
						46	TZW-1246	
						56	TZW-1256	
18	6,5	22	6	7	22	22	TZW-1822	
					27	27	TZW-1827	
					36	36	TZW-1836	
					46	46	TZW-1846	
					56	56	TZW-1856	
					66	66	TZW-1866	
					76	76	TZW-1876	
24	8,5	28	8	9,5	28	36	TZW-2436	
						46	46	TZW-2446
						56	56	TZW-2456
						66	66	TZW-2466
						76	76	TZW-2476
						86	86	TZW-2486
						96	TZW-2496	



**Tuleja wtryskowa**

Sprue bushing

**TWA**



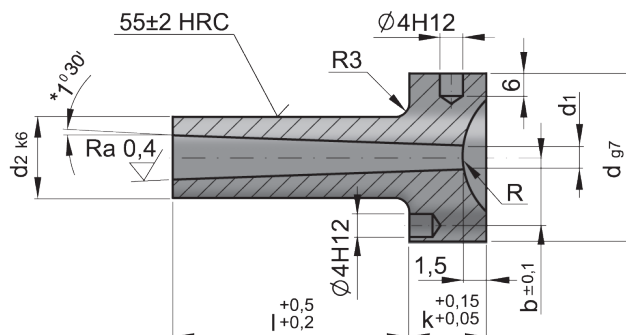
Na życzenie oferujemy tuleje z kątem 0,5°  
Hole inclination 0,5° on request

d2	d	k	b	d1	l	NR KAT.
18	38	18	15	3,5	27	TWA-183527
					36	TWA-183536
					46	TWA-183546
					56	TWA-183556
				4,5	27	TWA-184527
					36	TWA-184536
					46	TWA-184546
					56	TWA-184556
24	48	23	20	4,5	76	TWA-184576
					46	TWA-244546
					56	TWA-244556
24	48	23	20	6,5	76	TWA-244576
					56	TWA-246556
					76	TWA-246576

**Tuleja wtryskowa**

Sprue bushing

**TWB**



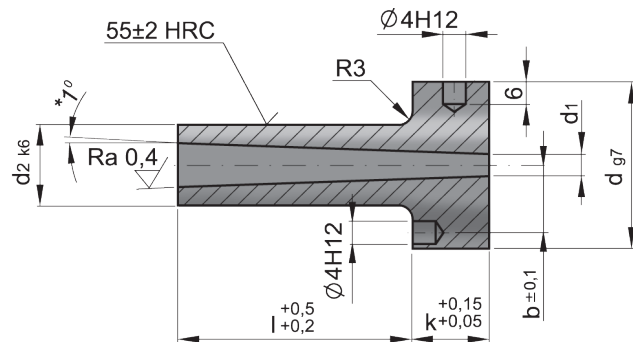
Na życzenie oferujemy tuleje z kątem 0,5°  
Hole inclination 0,5° on request

R=15,5						
d2	d	k	b	d1	l	NR KAT.
18	38	18	15	3,5	27	TWB-183527-15,5
					36	TWB-183536-15,5
					46	TWB-183546-15,5
					56	TWB-183556-15,5
				4,5	27	TWB-184527-15,5
					36	TWB-184536-15,5
					46	TWB-184546-15,5
					56	TWB-184556-15,5
24	48	23	20	4,5	76	TWB-184576-15,5
					46	TWB-244546-15,5
				6,5	56	TWB-244556-15,5
					76	TWB-244576-15,5
				6,5	56	TWB-246556-15,5
					76	TWB-246576-15,5
R=40						
d2	d	k	b	d1	l	NR KAT.
18	38	18	15	3,5	27	TWB-183527-40
					36	TWB-183536-40
					46	TWB-183546-40
					56	TWB-183556-40
				4,5	27	TWB-184527-40
					36	TWB-184536-40
					46	TWB-184546-40
					56	TWB-184556-40
24	48	23	20	4,5	76	TWB-184576-40
					46	TWB-244546-40
				6,5	56	TWB-244556-40
					76	TWB-244576-40
				6,5	56	TWB-246556-40
					76	TWB-246576-40

**Tuleja wtryskowa**

Sprue bushing

**TWC**



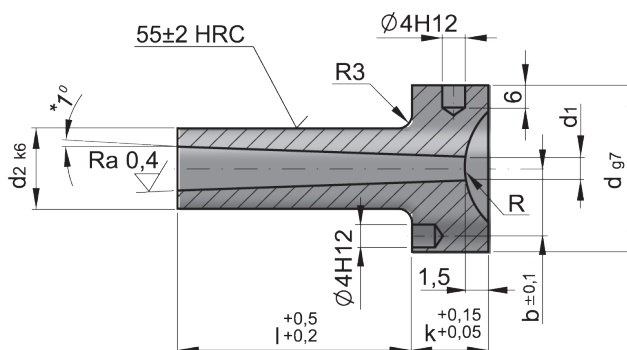
Na życzenie oferujemy tuleje z kątem 0,5°  
Hole inclination 0,5° on request

d2	d	k	b	d1	l	NR KAT.
12	28	13	11	2,5	22	TWC-122522
					27	TWC-122527
					36	TWC-122536
					46	TWC-122546
				3,5	22	TWC-123522
					27	TWC-123527
					36	TWC-123536
					46	TWC-123546
					56	TWC-123556
					76	TWC-123576
18	38	18	15	3	27	TWC-183027
					36	TWC-183036
					46	TWC-183046
					56	TWC-183056
					76	TWC-183076
					96	TWC-183096
					116	TWC-1830116
				4	27	TWC-184027
					36	TWC-184036
					46	TWC-184046
					56	TWC-184056
					76	TWC-184076
					96	TWC-184096
					116	TWC-1840116

**Tuleja wtryskowa**

Sprue bushing

**TWD**



Na życzenie oferujemy tuleje z kątem 0,5°  
Hole inclination 0,5° on request

**R=15,5**

d2	d	k	b	d1	l	NR KAT.
12	28	13	11	2,5	22	TWD-122522-15,5
					27	TWD-122527-15,5
					36	TWD-122536-15,5
					46	TWD-122546-15,5
				3,5	22	TWD-123522-15,5
					27	TWD-123527-15,5
					36	TWD-123536-15,5
					46	TWD-123546-15,5
18	38	18	15	3	56	TWD-123556-15,5
					27	TWD-183027-15,5
					36	TWD-183036-15,5
					46	TWD-183046-15,5
					56	TWD-183056-15,5
					76	TWD-183076-15,5
				4	96	TWD-183096-15,5
					116	TWD-1830116-15,5
					27	TWD-184027-15,5
					36	TWD-184036-15,5
					46	TWD-184046-15,5
					56	TWD-184056-15,5
76	TWD-184076-15,5					
96	TWD-184096-15,5					
116	TWD-1840116-15,5					

## Tuleja wtryskowa

Sprue bushing

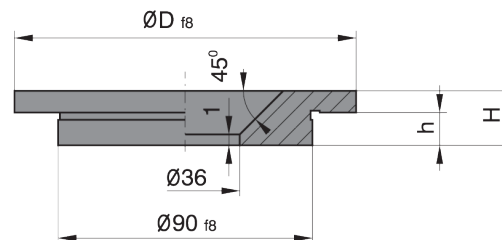
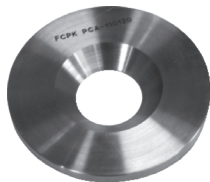
# TWD

R=40						
d2	d	k	b	d1	l	NR KAT.
12	28	13	11	2,5	22	TWD-122522-40
					27	TWD-122527-40
					36	TWD-122536-40
					46	TWD-122546-40
				3,5	22	TWD-123522-40
					27	TWD-123527-40
					36	TWD-123536-40
					46	TWD-123546-40
					56	TWD-123556-40
					18	38
36	TWD-183036-40					
46	TWD-183046-40					
56	TWD-183056-40					
76	TWD-183076-40					
96	TWD-183096-40					
116	TWD-1830116-40					
4	27	TWD-184027-40				
	36	TWD-184036-40				
	46	TWD-184046-40				
	56	TWD-184056-40				
	76	TWD-184076-40				
	96	TWD-184096-40				
	116	TWD-1840116-40				

**Pierścień centrujący**

Locating ring

**PCA**



h	D	H	NR KAT.
4	100	8	PCA-100080
7		11	PCA-100110
9		13	PCA-100130
11		15	PCA-100150
12.5		16.5	PCA-100165
4	110	8	PCA-110080
7		11	PCA-110110
4		12	PCA-110120
9		13	PCA-110130
11		15	PCA-110150
12.5		16.5	PCA-110165
4	120	8	PCA-120080
7		11	PCA-120110
4		12	PCA-120120
9		13	PCA-120130
11		15	PCA-120150
12.5		16.5	PCA-120165
4	125	8	PCA-125080
7		11	PCA-125110
4		12	PCA-125120
9		13	PCA-125130
11		15	PCA-125150
12.5		16.5	PCA-125165

**Pierścień centrujący**

Locating ring

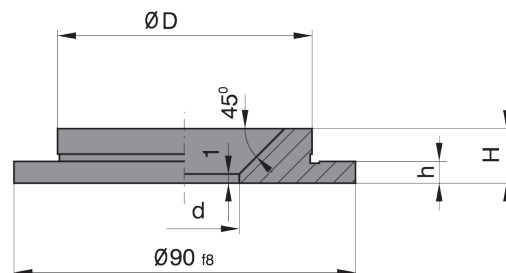
**PCA**

h	D	H	NR KAT.
4	130	12	PCA-130120
	140		PCA-140120
	150		PCA-150120
7	160	8	PCA-160080
4		11	PCA-160110
9		12	PCA-160120
11		13	PCA-160130
12.5		15	PCA-160150
4		16.5	PCA-160165
7		175	8
4	11		PCA-175110
9	12		PCA-175120
11	13		PCA-175130
12.5	15		PCA-175150
4	16.5		PCA-175165
4	180		12
4	200	PCA-200120	
4	250	PCA-250120	

**Pierścień centrujący**

Locating ring

**PCA**

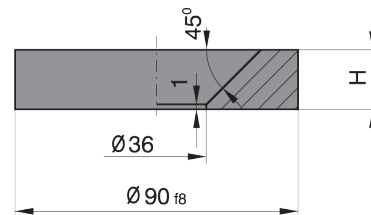


d	h	D	H	NR KAT.
36	4	60	8	PCA-060080
26	7		11	PCA-060110
	9		13	PCA-060130
36	4	80	8	PCA-080080
26	7		11	PCA-080110
	9		13	PCA-080130

**Pierścień centrujący**

Locating ring

**PCA**



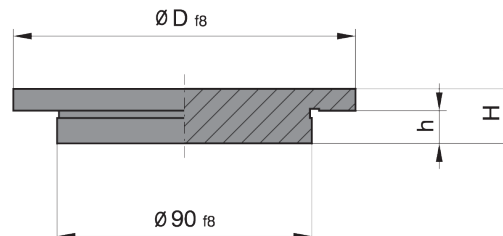
H	NR KAT.
8	PCA-090080
11	PCA-090110
13	PCA-090130
15	PCA-090150
16.5	PCA-090165



**Pierścień centrujący**

Locating ring

**PCB**



h	D	H	NR KAT.	
4	100	8	PCB-100080	
7		11	PCB-100110	
9		13	PCB-100130	
11		15	PCB-100150	
12.5		16.5	PCB-100165	
4		110	8	PCB-110080
7	11		PCB-110110	
4	12		PCB-110120	
9	13		PCB-110130	
11	15		PCB-110150	
12.5	16.5		PCB-110165	
4	120	8	PCB-120080	
7		11	PCB-120110	
4		12	PCB-120120	
9		13	PCB-120130	
11		15	PCB-120150	
12.5		16.5	PCB-120165	
4	125	8	PCB-125080	
7		11	PCB-125110	
4		12	PCB-125120	
9		13	PCB-125130	
11	125	15	PCB-125150	
12.5		16.5	PCB-125165	
4		140	8	PCB-140080
7	160		11	PCB-160080
4		150	11	PCB-150080
7		11	PCB-160110	
4		12	PCB-160120	
9		13	PCB-160130	
11		15	PCB-160150	
12.5		16.5	PCB-160165	

## Pierścień centrujący

Locating ring

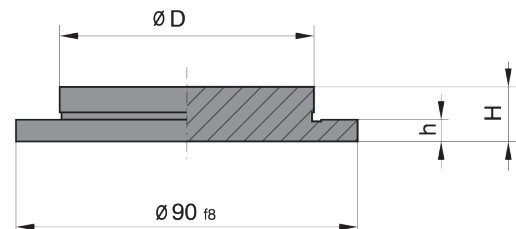
# PCB

h	D	H	NR KAT.
4	175	8	PCB-175080
7		11	PCB-175110
4		12	PCB-175120
9		13	PCB-175130
11		15	PCB-175150
12.5		16.5	PCB-175165
4		200	12
	250	PCB-250120	

**Pierścień centrujący**

Locating rings

**PCB**

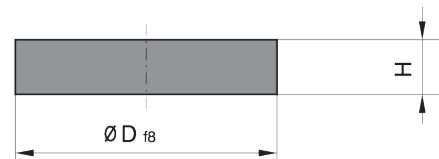
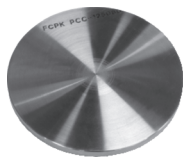


h	D	H	NR KAT.
4	60	8	PCB-060080
7		11	PCB-060110
9		13	PCB-060130
4	80	8	PCB-080080
7		11	PCB-080110
9		13	PCB-080130

**Pierścień centrujący**

Locating rings

**PCC**

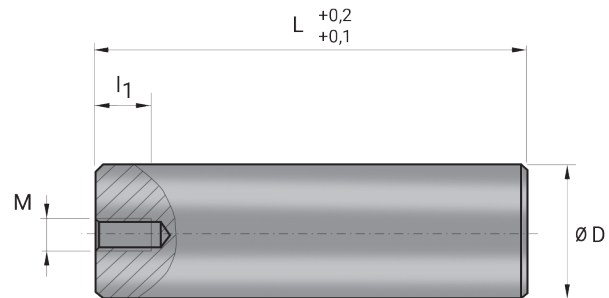


D	H	NR KAT.
40	6	PCC-040060
	9	PCC-040090
60	8	PCC-060080
	11	PCC-060110
	13	PCC-060130
80	8	PCC-080080
	11	PCC-080110
	13	PCC-080130
90	8	PCC-090080
	11	PCC-090110
	13	PCC-090130
	15	PCC-090150
	16.5	PCC-090165
100	8	PCC-100080
110	8	PCC-110080
	12	PCC-110120
120	8	PCC-120080
	12	PCC-120120
125	8	PCC-125080
		PCC-125120
130	12	PCC-130120
140		PCC-140120
150	8	PCC-150080
	12	PCC-150120
160	8	PCC-160080
	12	PCC-160120
175	8	PCC-175080
	12	PCC-175120
200	8	PCC-200080
		PCC-200120
250	12	PCC-250120

**Trzpień podporowy**

Support pillar

**TPOD**



D	M	L	l <sub>1</sub>	NR KAT.	D	M	L	l <sub>1</sub>	NR KAT.	D	M	L	l <sub>1</sub>	NR KAT.
25	M8	36	16	TPOD-25x36	40	M10	136	20	TPOD-40x136	70	M12	96	25	TPOD-70x96
		46		156			TPOD-40x156		116			TPOD-70x116		
		56		176			TPOD-40x176		136			TPOD-70x136		
		66		46	TPOD-50x46	156	TPOD-70x156							
		76		56	TPOD-50x56	196	TPOD-70x196							
		86		66	TPOD-50x66	236	TPOD-70x236							
		96		76	TPOD-50x76	276	TPOD-70x276							
		116		86	TPOD-50x86	76	TPOD-80x76							
		136		96	TPOD-50x96	86	TPOD-80x86							
		156		116	TPOD-50x116	96	TPOD-80x96							
32	M10	36	20	TPOD-32x36	50	M10	136	20	TPOD-50x136	80	M12	116	25	TPOD-80x116
		46		156			TPOD-50x156		136			TPOD-80x136		
		56		176			TPOD-50x176		156			TPOD-80x156		
		66		196			TPOD-50x196		176			TPOD-80x176		
		76		56			TPOD-60x56		196			TPOD-80x196		
		86		66	TPOD-60x66	236	TPOD-80x236							
		96		76	TPOD-60x76	276	TPOD-80x276							
		116		86	TPOD-60x86	96	TPOD-100x96							
		136		96	TPOD-60x96	116	TPOD-100x116							
		156		116	TPOD-60x116	136	TPOD-100x136							
40	M10	46	20	TPOD-40x46	60	M10	136	20	TPOD-60x136	100	M12	156	25	TPOD-100x156
		56		156			TPOD-60x156		176			TPOD-100x176		
		66		176			TPOD-60x176		196			TPOD-100x196		
		76		196			TPOD-60x196		236			TPOD-100x236		
		86		236			TPOD-60x236		276			TPOD-100x276		
		96		66			TPOD-70x66		66			TPOD-70x66		
		116		76			TPOD-70x76		76			TPOD-70x76		
		TPOD-70x86	86	TPOD-70x86										